



# D518<sup>®</sup>

PRO

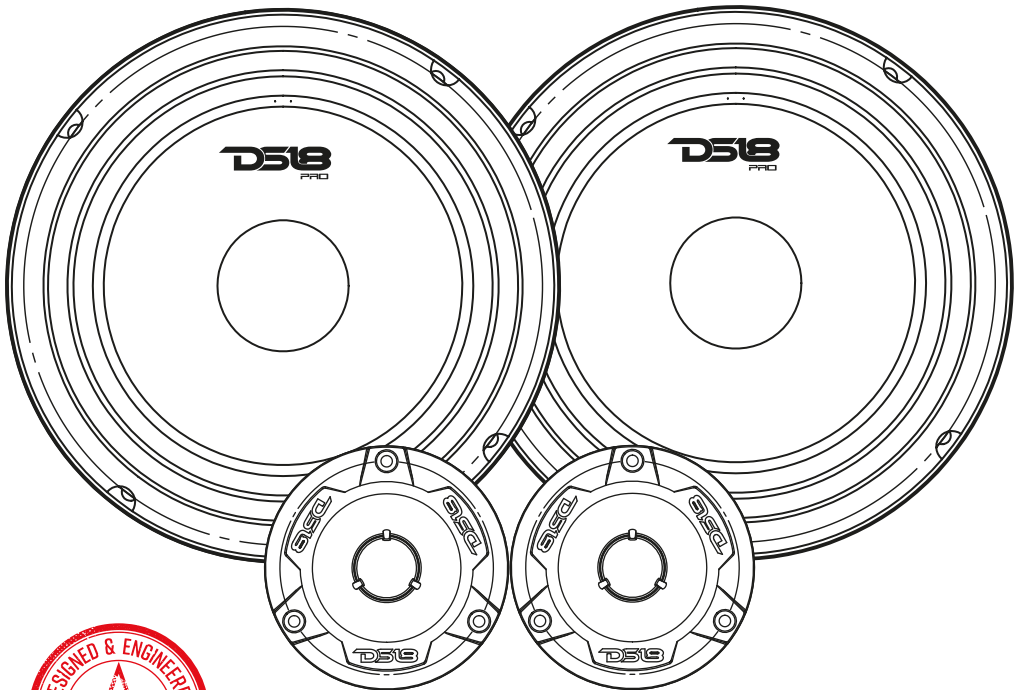
## OWNER'S MANUAL

### PRO-GM6.4PK2

MID AND HIGH COMPLETE PACKAGE

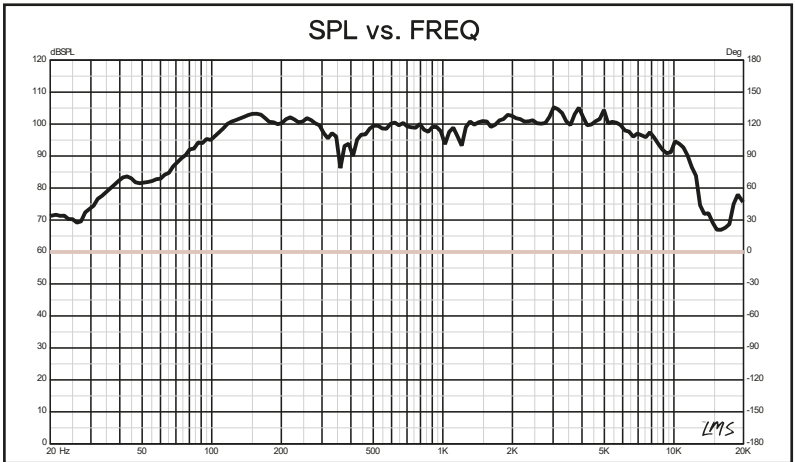
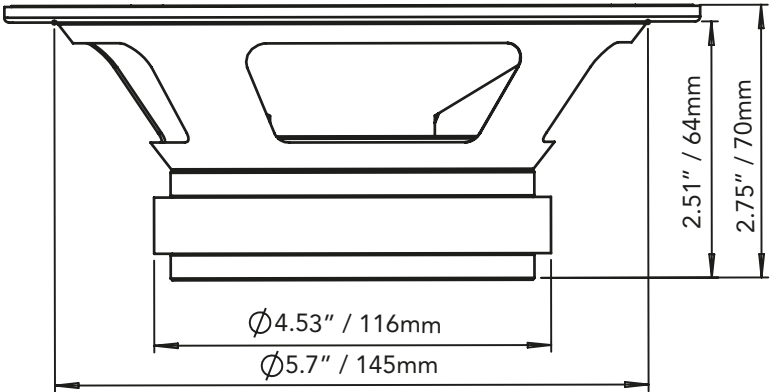
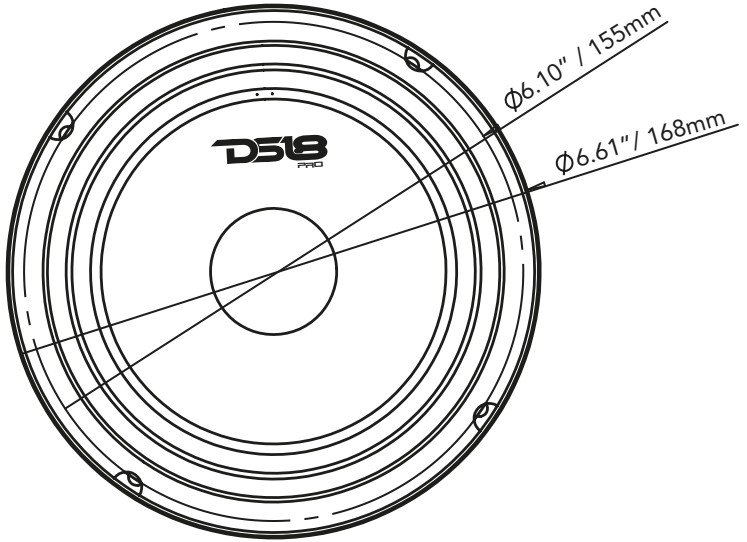
PAIR **PRO-GM6.4**

PAIR **PRO-TWX1/BK**





# PRO-GM6.4





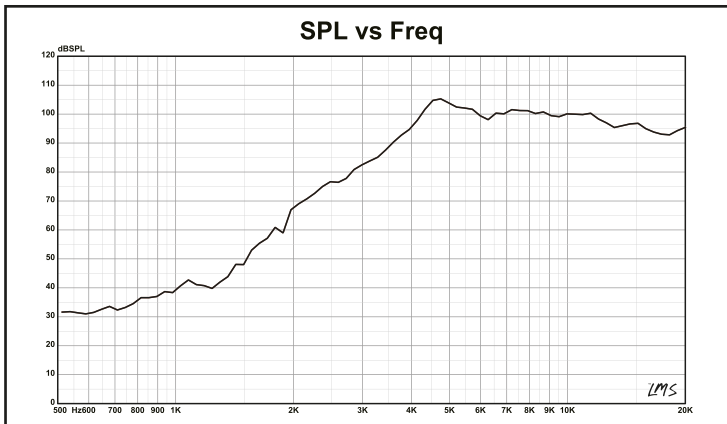
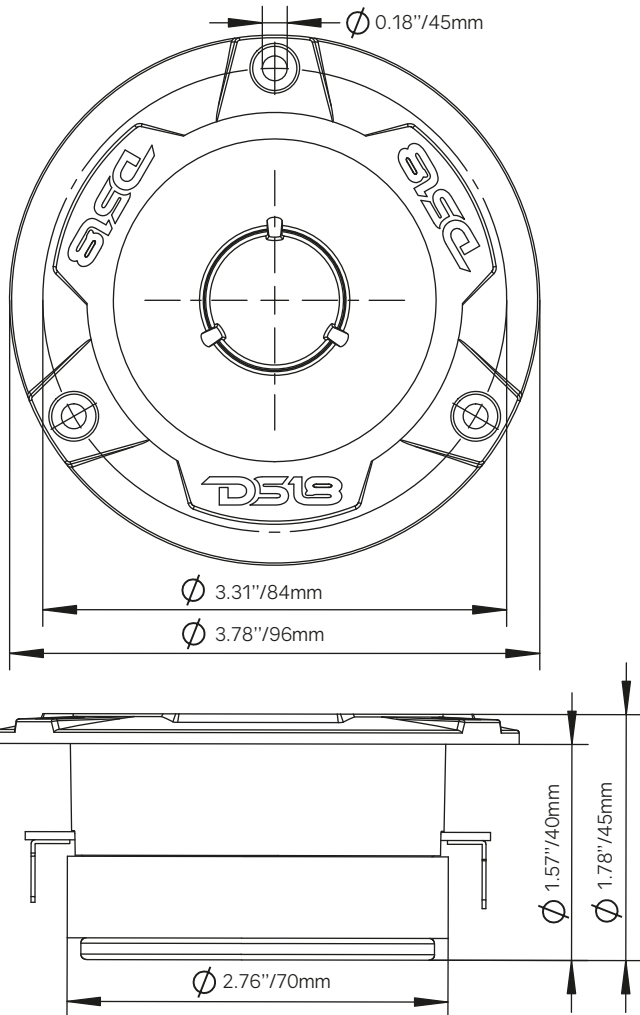
## **SPECIFICATIONS:**

Overall Diameter .....	6.61" / 68mm
Baffle Cutout Diameter .....	5.70" / 145mm
Mounting Depth .....	2.51" / 64mm
Nominal Impedance .....	4 OHM
Rms Power Handling .....	140 Watts
Maximum Power Handling .....	480 Watts
Sensitivity (1w/1m) .....	92dB
Frequency Response .....	98-10KHz
Voice Coil Diameter .....	1.5" / 38.6mm
Winding Material .....	KCCAW
Magnet Weight .....	Ferrite 23 Oz
Basket Material .....	Steel.

## **THIELE & SMALL PARAMETERS:**

Fs .....	118 Hz
Re .....	3.2 OHM
Qes .....	0.772
Qms .....	9.523
Qts .....	0.714
Vas .....	5.280dm <sup>3</sup>

# PRO-TWX1/BK





### **SPECIFICATIONS:**

Nominal Diameter .....	1"
Nominal Impedance .....	4 ohms
AES Power Handling .....	60 Watts
Program Power Handling .....	120 Watts
Peak Power Handling .....	240 Watts
Sensitivity (1W/1W) .....	103 dB
Frequency Response .....	3.5K-20Khz
Recommended HI Pass Crossover ..	2 KHz

### **MOTOR:**

Voice Coil Diameter .....	1"
Voice Coil Former Material .....	Kapton
Winding Material.....	KCCAW
Diaphragm Material .....	Aluminum
Magnet Material.....	Ferrite
Body Material .....	Aluminum

### **MEASUREMENTS**

Overall Diameter .....	3.78" / 96mm
Overall Depth .....	1.78" / 45mm
Front Mount Baffle Cutout .....	2.76" / 70mm
Mounting Depth .....	1.57" / 40mm

**PRO-TWX1/BK**





FOR MORE INFORMATION  
PLEASE VISIT  
[DS18.COM](http://DS18.COM)

*WE LIKE IT LOUD*

**DS18<sup>®</sup>**

The DS18 logo is rendered in a bold, red, sans-serif font. To the left of the logo is a stylized red graphic element consisting of a horizontal line that curves upwards and then back down to the left, resembling a wing or a speed line.