

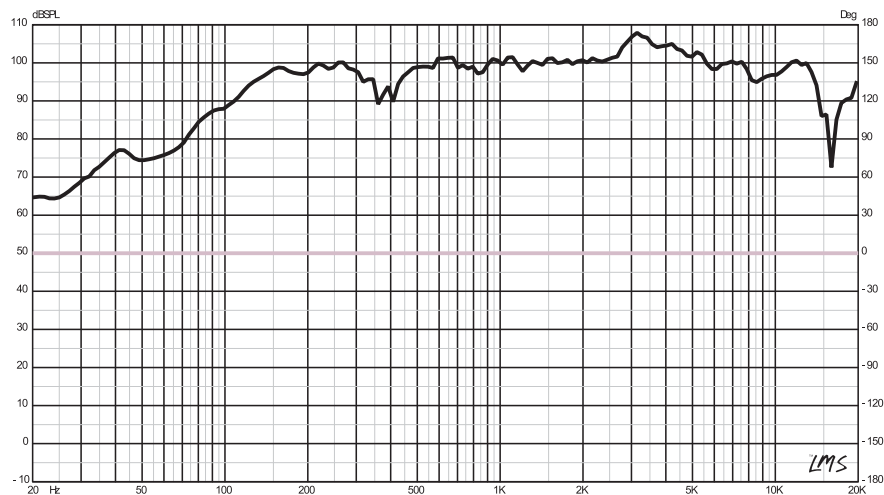
DS18[®]

PRO

PRO-FR8NEO MIDRANGE LOUDSPEAKER 8"

RMS Power Handling: 250 Watts
MAX Power Handling: 500 Watts
Frequency Response: 160 - 12.5KHz
Voice Coil Diameter: 1.5" (38.6 mm)
Voice Coil Material: Kapton
Nominal Impedance: 4 OHM
Sensitivity (1W/1M): 99dB
Magnet Weight: 34 oz
Magnet Material: Neodymium
Mounting Depth: 61.5 mm / 2.42"

SPL vs Freq



DS18[®]

PRO

PRO-FR8NEO

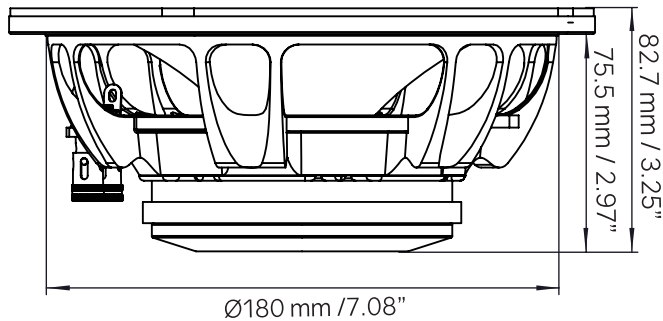
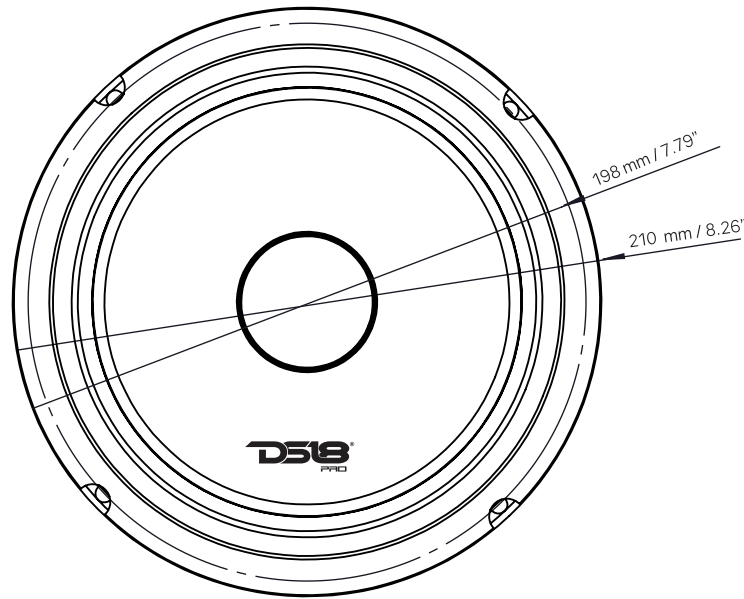
8" NEODYMIUM MIDRANGE
LOUDSPEAKER WITH BULLET

4OHM



OWNER'S MANUAL

PRO-FR8NEO



DS18.COM

Data Sheet

Specifications:

Nominal Diameter	8"
Nominal Impedance	4 ohms
RMS Power Handling	250 Watts
MAX Power Handling	500 Watts
Sensitivity (1w/1m)	99dB
Frequency Response	160Hz - 12.5KHz
Voice Coil Diameter.....	1.5" (38.6 mm)
Voice Coil Former Material.....	Kapton
Winding Material.....	KCCAW
Basket Material.....	Aluminum
Magnet Material.....	Neodymium
Recommended HI Pass Crossover	180 Hz

Thiele & Small Parameters:

Equivalent Volume	Vas.....	7.872 Ltr
Excursion	Xmax.....	6.8 mm
Free Air Resonance	Fs.....	128.77 Hz
Mechanical Factor	Qms.....	3.356
Electrical Factor	Qes.....	0.376
Total Factor	Qts.....	0.338
Dc Resistance	Re.....	3.2 ohms

Measurements:

Overall Diameter.....	210 mm (8.26")
Front Mount Baffle Cutout	180 mm (7.08")
Mounting Depth.....	75.5 mm (2.97")
Overall Depth.....	82.7 mm (3.25")

PRO-FR8NEO

NEODYMIUM MIDRANGE LOUSPEAKER WITH BULLET

WeLikeItLoud

