

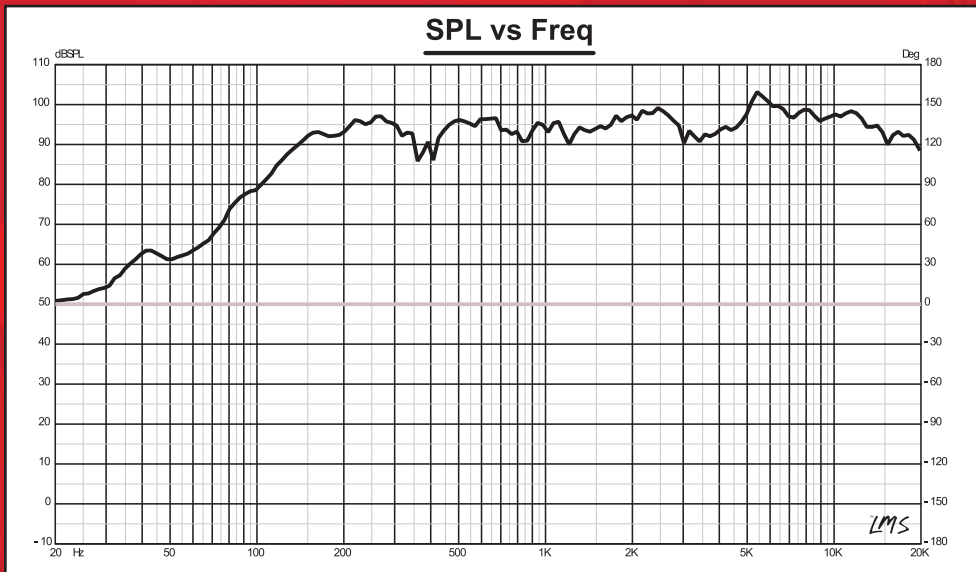
# DS18<sup>®</sup>

## PRO

### PRO-FR5NEO MIDRANGE LOUSPEAKER

5.25"

- RMS Power Handling: 200 Watts
- MAX Power Handling: 400 Watts
- Frequency Response: 250Hz-16KHz
- Voice Coil Diameter: 1.2" (30.5 mm)
- Voice Coil Material: Kapton
- Nominal Impedance: 4 OHM
- Sensitivity (1W/1M): 94dB
- Magnet Weight: 30.5 oz
- Magnet Material: Neodymium
- Mounting Depth: 44 mm / 1.74"



# DS18<sup>®</sup>

## PRO

### PRO-FR5NEO

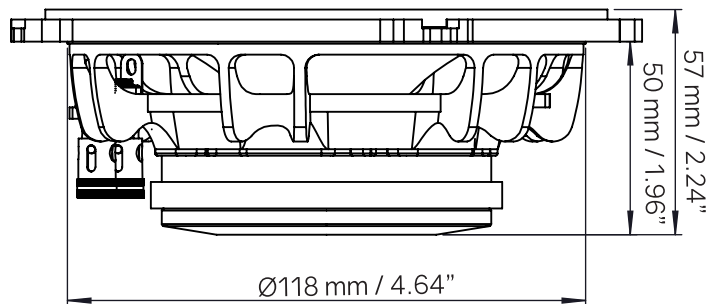
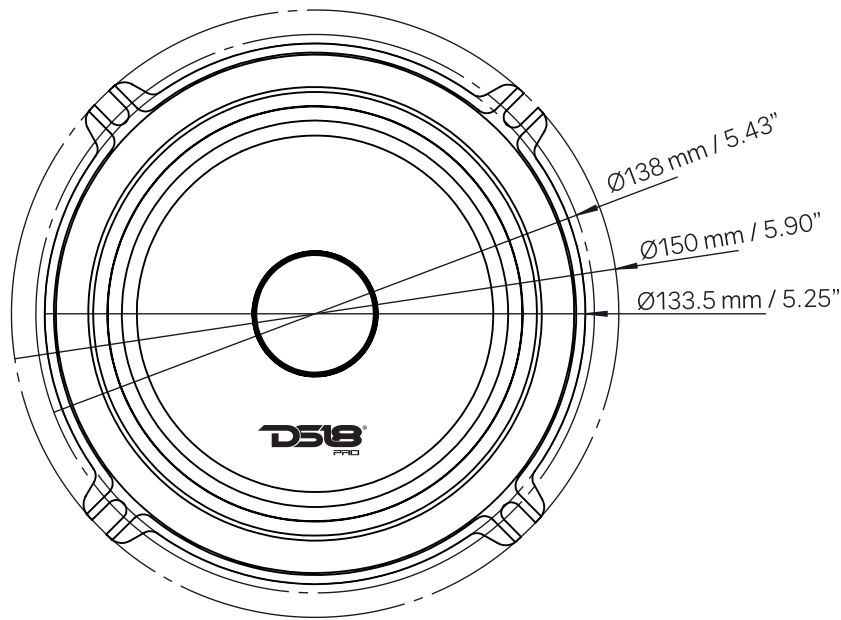
5.25" NEODYMIUM MIDRANGE  
LOUDSPEAKER WITH BULLET

4OHM



OWNER'S MANUAL

# PRO-FR5NEO



[DS18.COM](http://DS18.COM)

## Data Sheet

### Specifications:

Nominal Diameter .....	5.25"
Nominal Impedance .....	4 ohms
RMS Power Handling .....	200 Watts
MAX Power Handling .....	400 Watts
Sensitivity (1w/1m) .....	94dB
Frequency Response .....	250Hz - 16KHz
Voice Coil Diameter.....	1.2" (30.5 mm)
Voice Coil Former Material.....	Kapton
Winding Material.....	KCCAW
Basket Material.....	Aluminum
Magnet Material.....	Neodymium
Recommended Hi Pass Crossover .....	260 Hz

### Thiele & Small Parameters:

Equivalent Volume	Vas.....	2.13 Ltr
Excursion	Xmax.....	6.7 mm
Free Air Resonance	Fs.....	242.58 Hz
Mechanical Factor	Qms.....	11.681
Electrical Factor	Qes.....	0.716
Total Factor	Qts.....	0.675
Dc Resistance	Re.....	3.2 ohms

### Measurements:

Overall Diameter.....	133.5 mm (5.25")
Front Mount Baffle Cutout.....	118 mm (4.64")
Mounting Depth.....	50 mm (1.96")
Overall Depth.....	57 mm (2.24")

PRO-FR5NEO

NEODYMIUM MIDRANGE LOUSPEAKER WITH BULLET

# WeLikeItLoud

