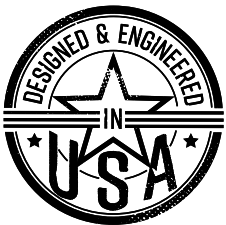
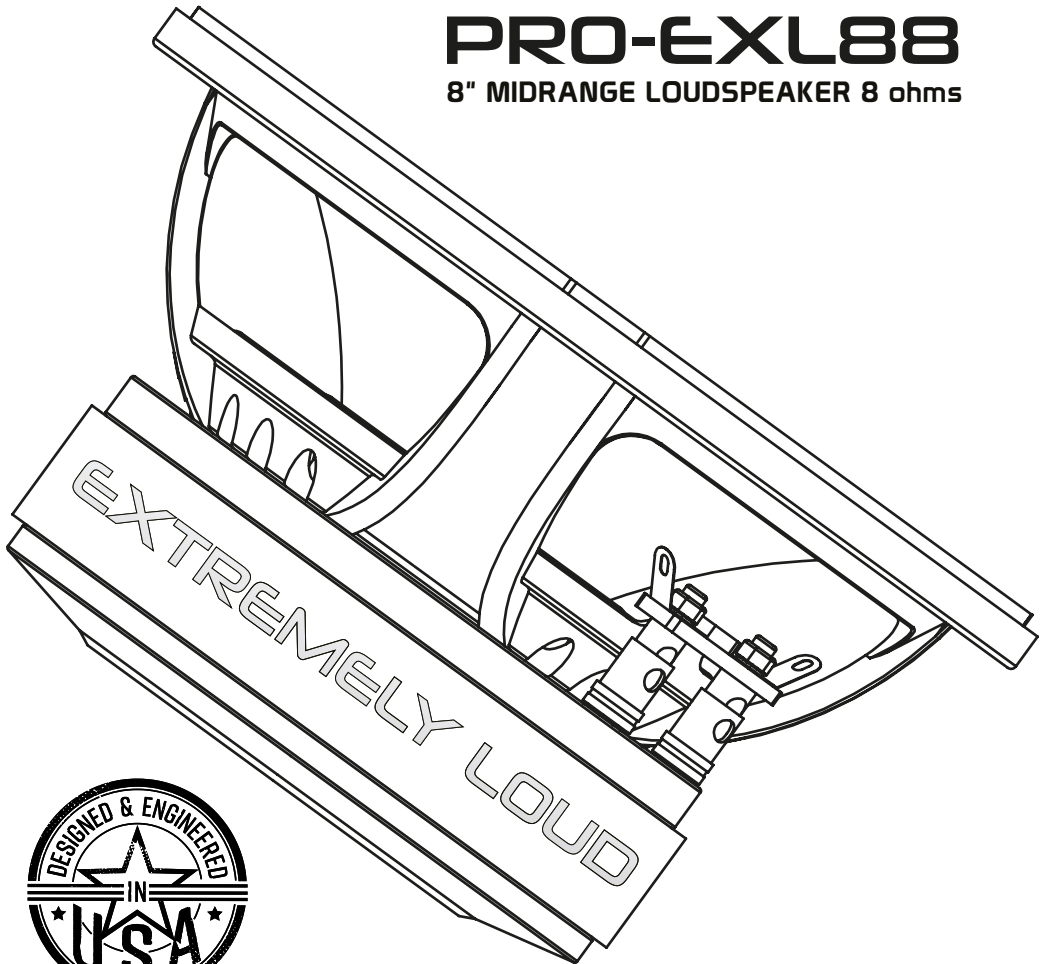


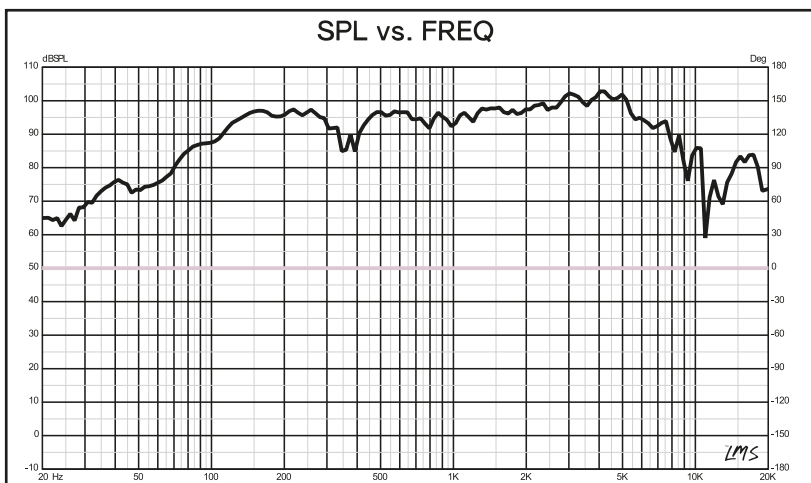
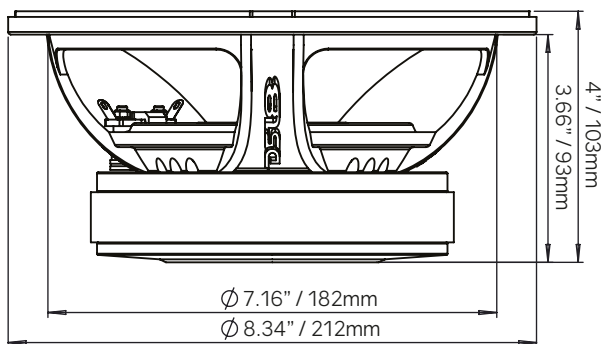
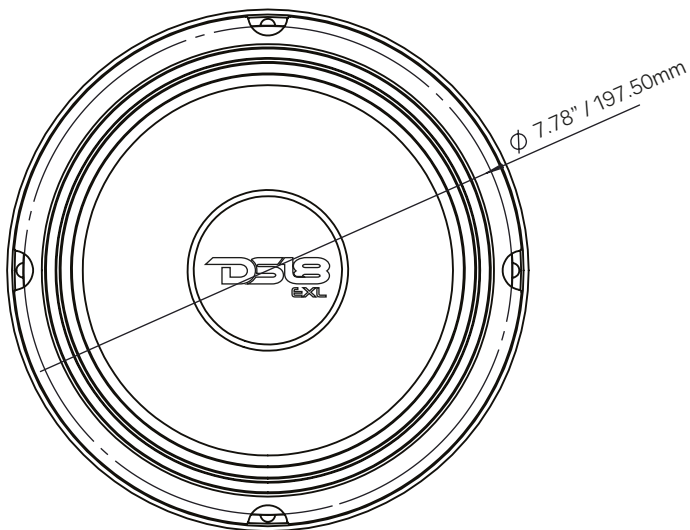
The logo for DS18, featuring the letters 'DS18' in a bold, stylized font. The 'D' and 'S' are connected, and the '18' is separate. A registered trademark symbol (®) is located to the upper right of the '8'.

DS18[®]

OWNER'S MANUAL
PRO-EXL88
8" MIDRANGE LOUDSPEAKER 8 ohms



PRO-EXL88



Specifications:

Nominal Diameter	8"
Nominal Impedance	4 ohms
MAX Power Handling	800W
RMS Power Handling	400W
Sensitivity (1w/1m)	96dB
Frequency Response	100Hz - 10K
Recommended HI Pass Crossover	Hz

Motor:

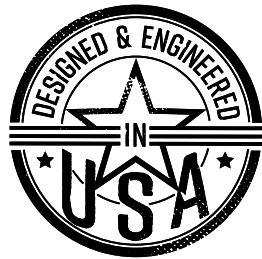
Voice Coil Diameter	2"/50.8 mm
Voice Coil Former Material	Glass Fiber
Winding Material	CCAW
Cone Material	Paper
Surround Material	Cloth
Basket Material	Aluminum
Magnet Material	Ferrite
Magnet Weight	49oz
Displacement Volume	0.059L

Thiele & Small Parameters:

Equivalent Volume	Vas	4.1330L
Excursion	X-max	9.2 mm
Free Air Resonance	Fs	94 Hz
Mechanical Factor	Qms	1.024
Electrical Factor	Qes	0.575
Total Factor	Qts	0.368
Dc Resistance	Re	5.2 ohms

Measurements

Overall Diameter	8.34"/212 mm
Front Mount Baffle Cutout	7.16"/182 mm
Mounting Depth	3.66"/93 mm
Overall Depth	4"/103 mm
Motor Diameter	5.7"/145mm



FOR MORE INFORMATION
PLEASE VISIT
DS18.COM

WE LIKE IT LOUD



DS18[®]