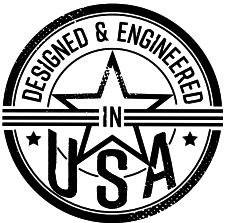
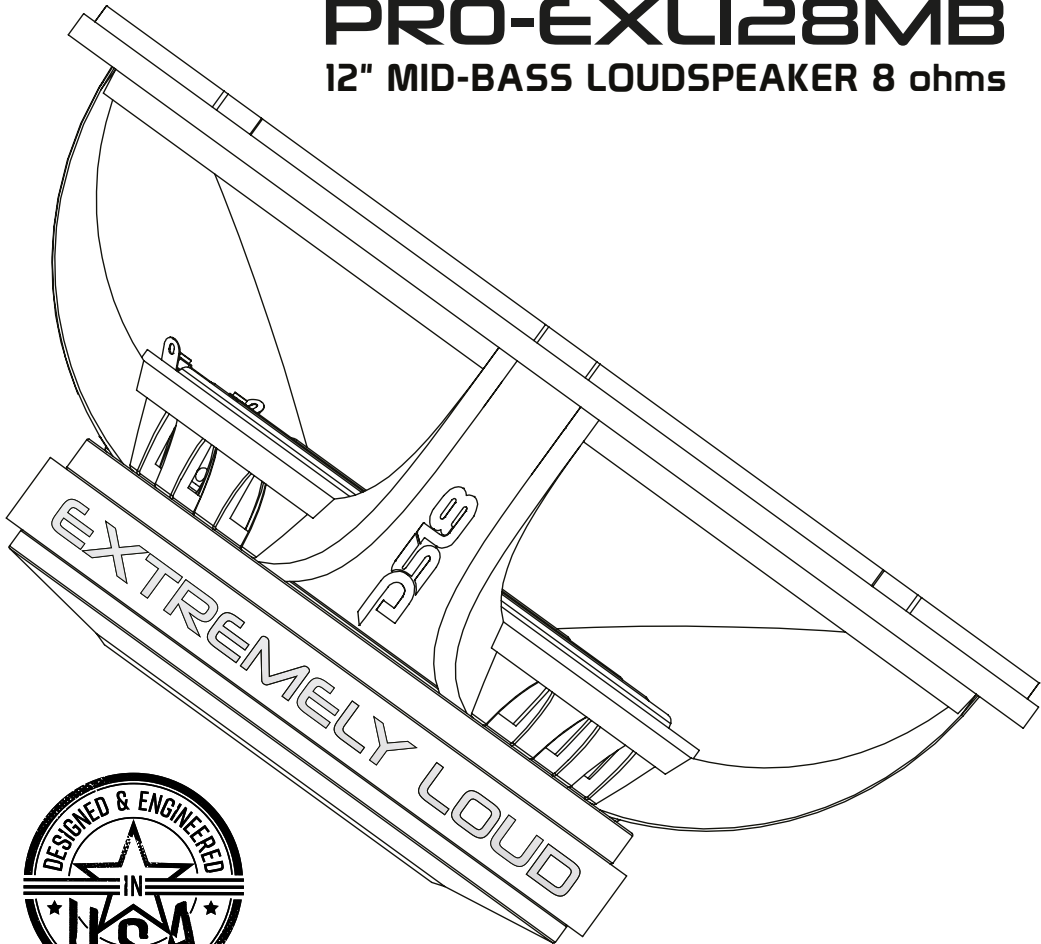


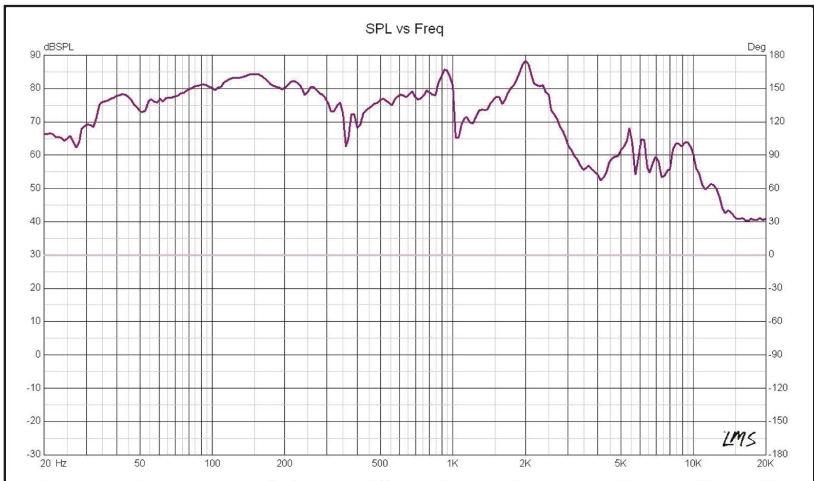
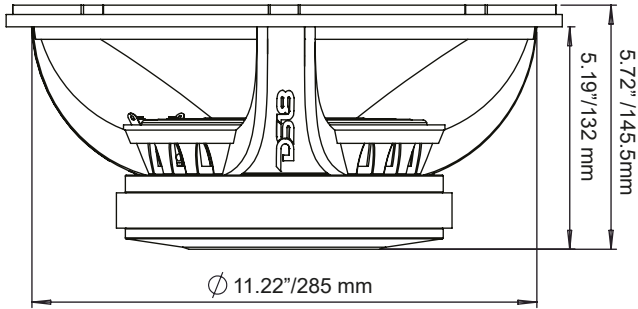
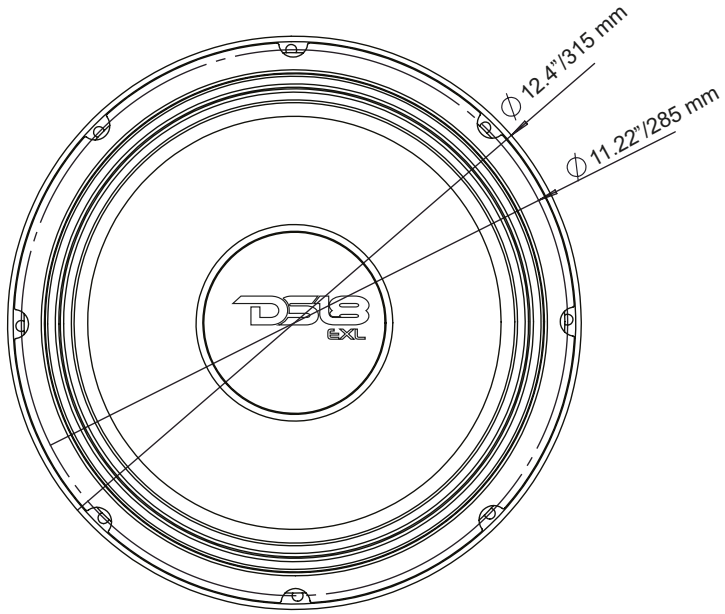


DS18[®]

OWNER'S MANUAL
PRO-EXL128MB
12" MID-BASS LOUDSPEAKER 8 ohms



PRO-EXL128MB





Specifications:

Nominal Diameter	12"
Nominal Impedance	8 ohms
MAX Power Handling	1400W
RMS Power Handling	700W
Sensitivity (1w/1m)	97dB
Frequency Response	62Hz-6.3 KHz
Recommended HI Pass Crossover	80 Hz

Motor:

Voice Coil Diameter	3"/76.5 mm
Voice Coil Former Material	Glass Fiber
Winding Material	CCAW
Cone Material	Non-pressed Paper
Dust Cap Material	Paper
Surround Material	Cloth
Basket Material	Aluminum
Magnet Material	Ferrite
Magnet Weight	110oz

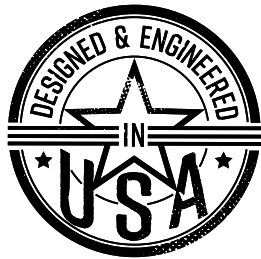
Thiele & Small Parameters:

Equivalent Volume	Vas	39.414L
Excursion	X-max	11 mm
Free Air Resonance	Fs	64.3 Hz
Mechanical Factor	Qms	9.745
Electrical Factor	Qes	0.346
Total Factor	Qts	0.335
Dc Resistance	Re	5.745 ohms
Moving Mass	Mms	59.61g
Compliance	Cms	0.027 mm/N
Force Factor	Bl	20.17 N/A
Voice Coil Inductance	Le	1.193 mH
Diaphragm Area	Sd	530.93 cm ²
Mechanical Mass without Air	Mmd	53.06g

Measurements

Overall Diameter	12.4"/315 mm
Front Mount Baffle Cutout	11.22"/285 mm
Mounting Depth	5.19"/132 mm
Overall Depth	5.72"/145.5
Motor Diameter	7.87"/200 mm

PRO-EXL128MB



FOR MORE INFORMATION
PLEASE VISIT
DS18.COM

WE LIKE IT LOUD



DS18[®]