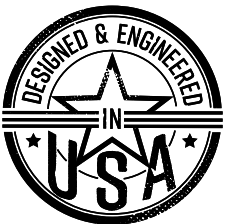
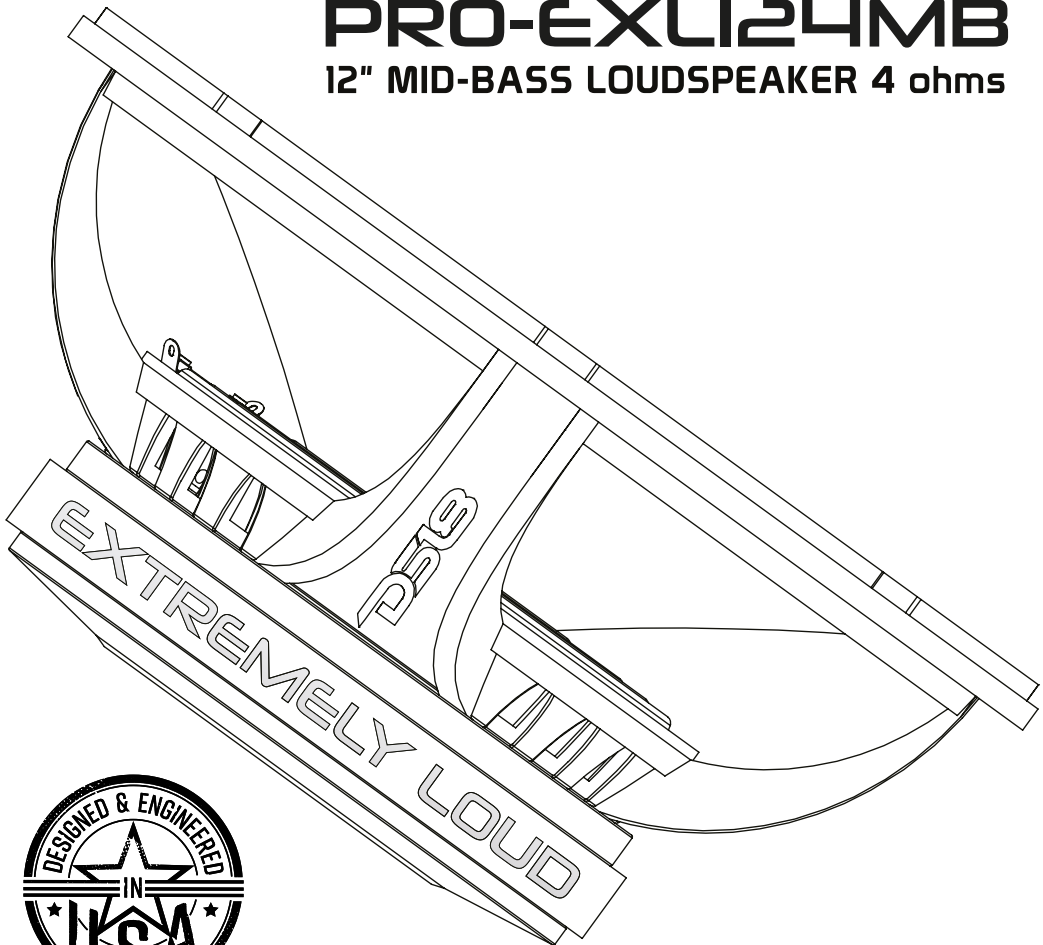


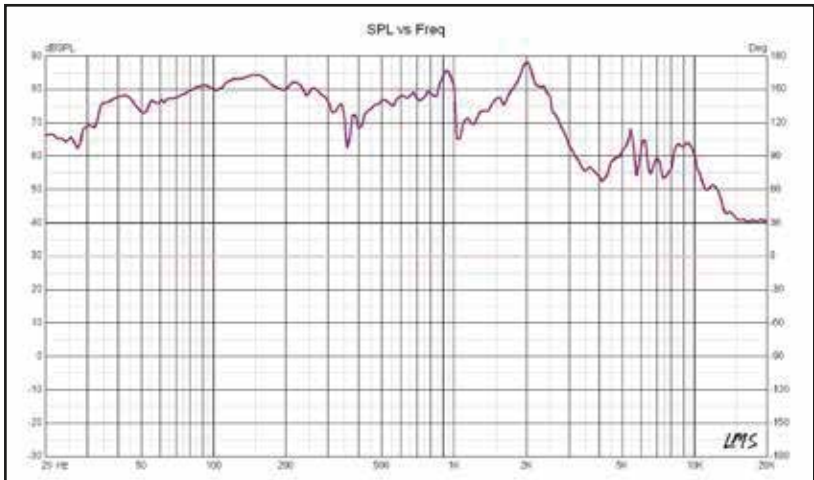
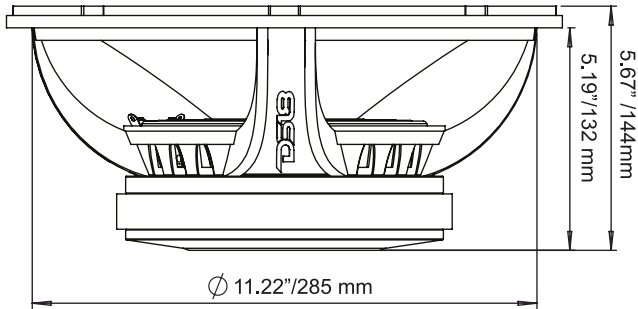
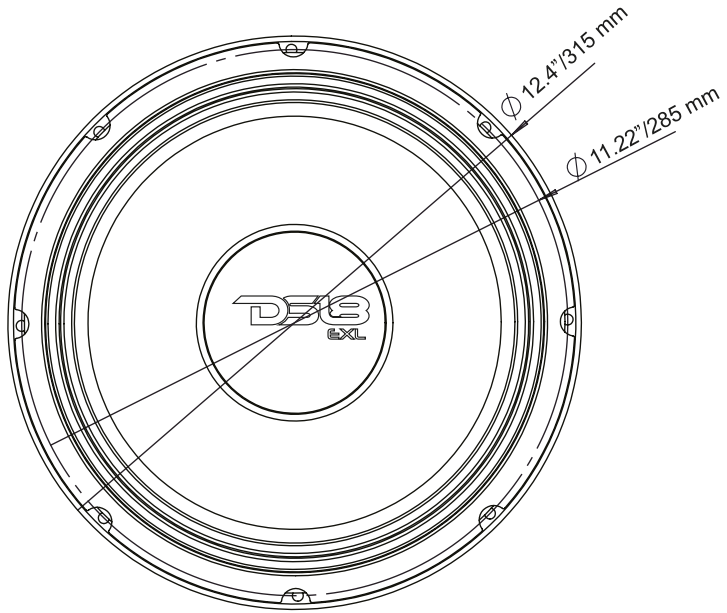
The logo for DS18, featuring the letters 'DS18' in a bold, stylized, italicized font. The 'D' and 'S' are connected, and the '18' is separate. A registered trademark symbol (®) is located to the upper right of the '8'.

DS18[®]

OWNER'S MANUAL
PRO-EXL124MB
12" MID-BASS LOUDSPEAKER 4 ohms



PRO-EXL124MB



Specifications

Nominal Diameter	12"
Nominal Impedance	4 ohm
RMS Power Handling	700 Watts
MAX Power Handling	1400 Watts
Sensitivity (1w/1m)	97dB
Frequency Response.....	61Hz-9.7KHz
Recommended HI Pass Crossover.....	80 Hz

Motor

Voice Coil Diameter.....	3" / 76.5mm
Voice Coil Former Material	Glass Fiber
Winding Material	CCAW
Cone Material.....	Non-pressed Paper
Dust Cap Material.....	Paper
Surround Material.....	Cloth
Basket Material	Aluminum
Magnet Material.....	Ferrite
Magnet Weight.....	110 Oz
Displacement Volume.....	0.099L

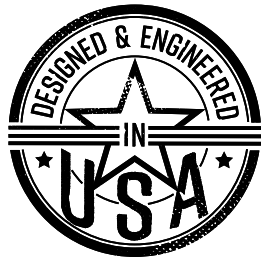
Thiele & Small Parameters

Equivalent Volume	Vas.....	47.439L
Excursion (one way)	Xmax.....	11mm
Free Air Resonance	Fs	61.5Hz
Mechanical Factor	Qms	4.82
Electrical Factor	Qes.....	0.435
Total Factor	Qts.....	0.406
Mechanical Mass	Mms.....	69.68g
Mechanical Compliance	Cms.....	0.134 m/N
BL Factor	BL.....	17.12
Voice Coil Inductance	Le.....	23.63 mH
Cone Area	Sd.....	547.39 cm ²
CD Resistance	Re.....	3.2 ohms
Mechanical Mass w/o air	Mmd.....	54.86g

Measurements

Overall Diameter.....	12.4" / 315mm
Overall Depth.....	5.67" / 144mm
Front Mount Baffle Cutout.....	11.22" / 285mm
Mouting Depth.....	5.19" / 132mm
Motor Diameter.....	7.87" / 200mm

WE LIKE IT LOUD



FOR MORE INFORMATION
PLEASE VISIT
DS18.COM

WE LIKE IT LOUD



DS18[®]