



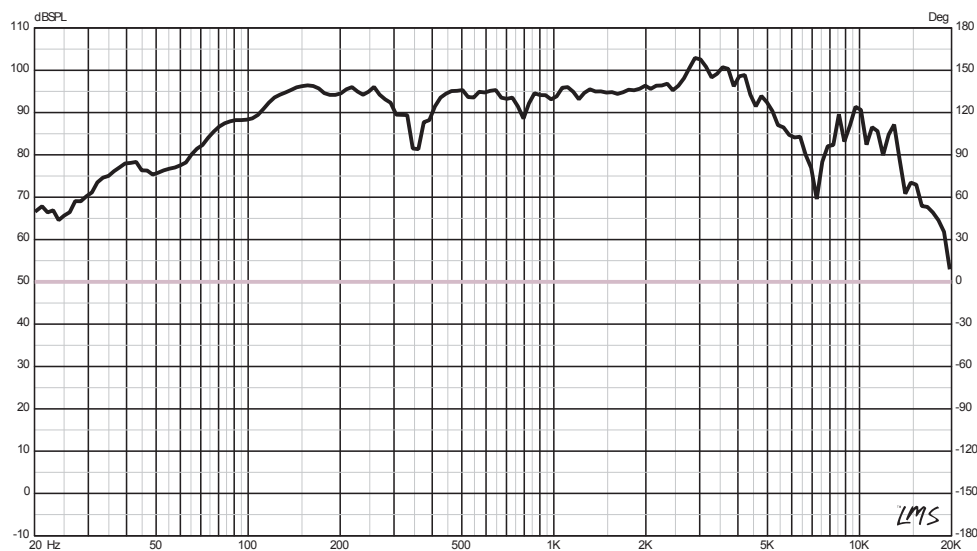
PRO-EXLI08MB

- 10" MIDBASS LOUDSPEAKER
- CLOTH EDGE AND NON-PRESSED PAPER CONE
- 80 Oz HIGH STRENGTH FERRITE MAGNET
- RED COLOR ALUMINUM BASKET
- 3.0" KCCA W VOICE COIL
- FREQUENCY RESPONSE 72 - 8K Hz
- 600 WATTS RMS POWER
- 1000 WATTS MAX POWER
- IMPEDANCE 8 OHMS
- SENSITIVITY 96 dB

PRO-EXLI08MB

10" MIDBASS LOUDSPEAKER 8 OHMS

SPL vs. FREQ

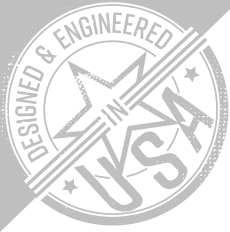


#WeLiktLoud

OWNER'S MANUAL

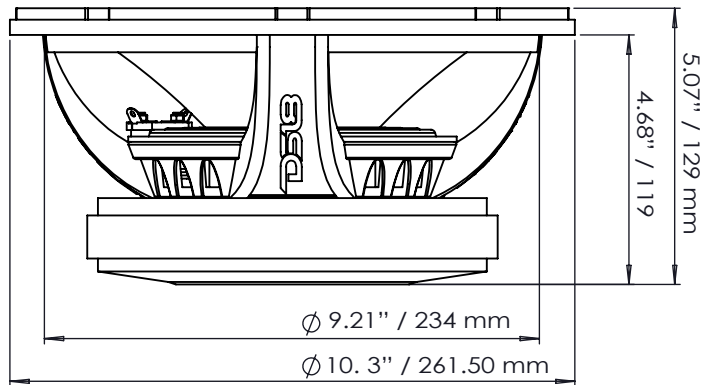
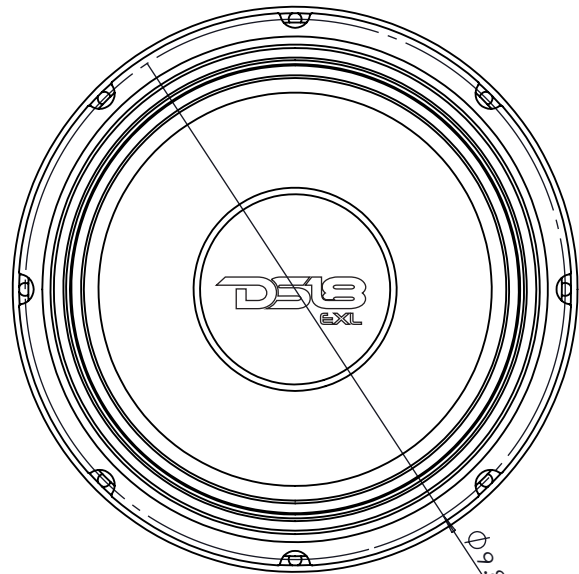
#WeLiktLoud





PRO-EXL108MB

10" MIDBASS LOUDSPEAKER 8 OHMS



WE LIKE IT LOUD

DATA SHEET



PRO-EXL108MB 10" MIDBASS LOUDSPEAKER 8 OHMS

Specifications

Nominal Diameter	10"
Nominal Impedance	8 ohms
RMS Power Handling	600 Watts
Maximum Power Handling	1000 Watts
Sensitivity (1w/1m)	96 dB
Frequency Response	72 - 8K Hz
Recommended Hi Pass Crossover	80 Hz
Voice Coil Diameter	76.5mm (3")
Voice Coil Former Material	KAPTON
Winding Material	CCAW
Basket Material	ALUMINUM
Frame Material	ALUMINUM
Magnet Weight	Ferrite 80 OZ

Thiele & Small Parameters

Equivalent Volume	Vas	18.6 L
Excursion	Xmax	10 mm
Free Air Resonance	Fs	65.9 Hz
Mechanical Factor	Qms	7.188
Electrical Factor	Qes	0.265
Total Factor	Qts	0.256
Cone Area	Sd	330.06 cm ²
Mechanical Mass	Mms	52.447 g
Bl Factor	Bl	21.19 N/A
Dc Resistance	Re	5.47 ohm
Inductance	Le	0.098 mH
Mechanical Mass Without Air	Mmd	45.671 g
Mechanical Compliance	Cms	0.029 mm/N

Measurements

Overall Diameter	261.5mm (10.3")
Front Mount Baffle Cutout	234mm (9.21")
Mounting Depth	119mm (4.68")
Overall Depth	129mm (5.07")
Net Weight	6.9 KG

Shipping Info

Gross Single Unit Weight	14.5 KG
Single Unit Box Dimensions W x L x H	275 x 275 x 138 mm
Quantity of Units in Master Carton	2 PCS
Gross Master Carton Weight	15 KG
Master Carton Dimensions W x L x H	290 x 290 x 300 mm