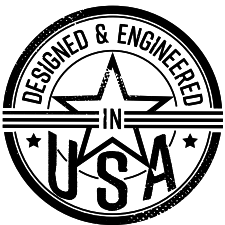
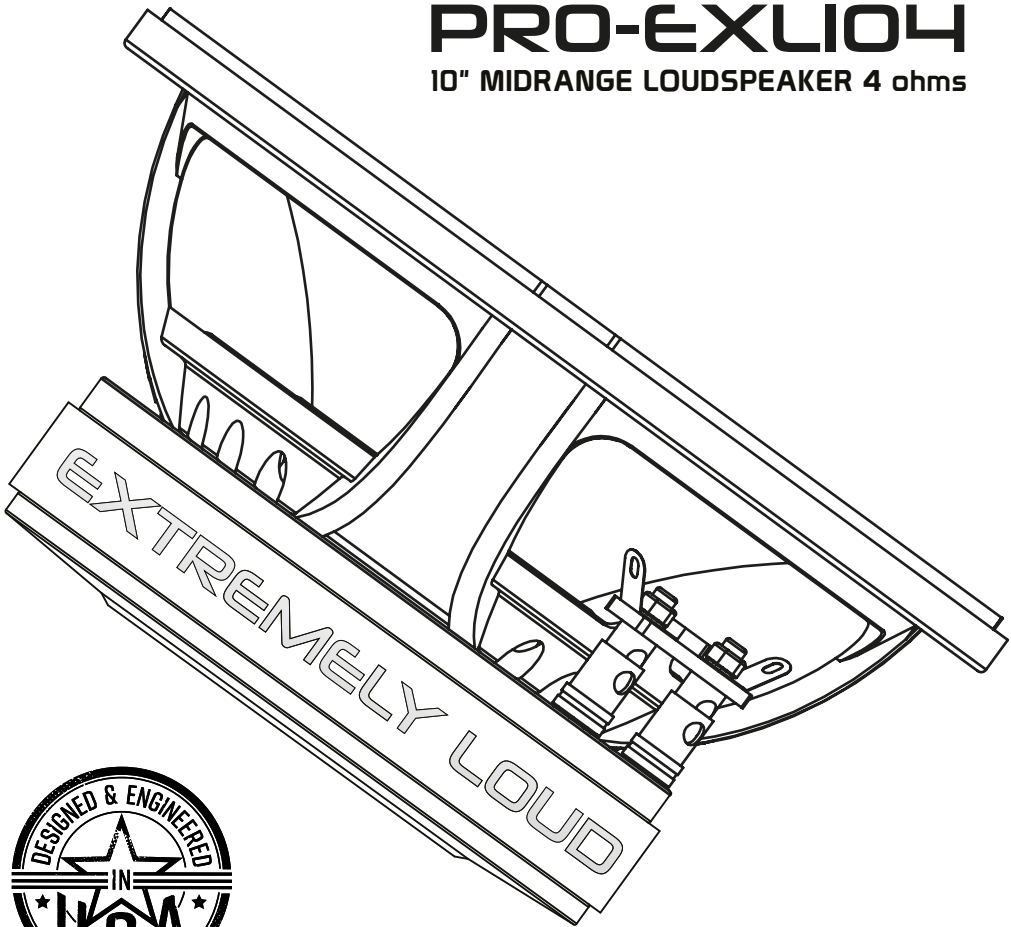


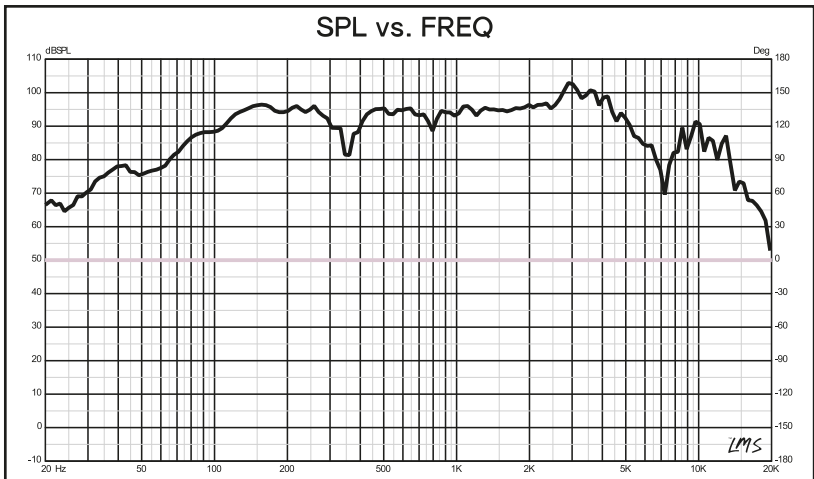
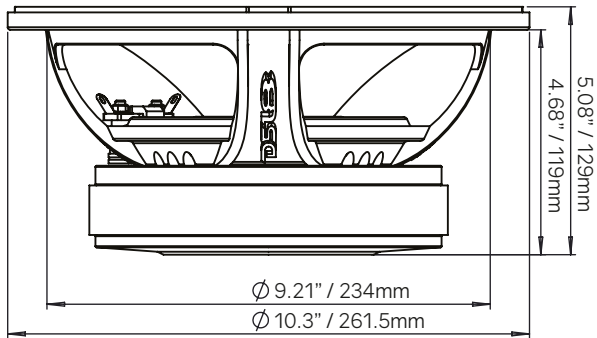
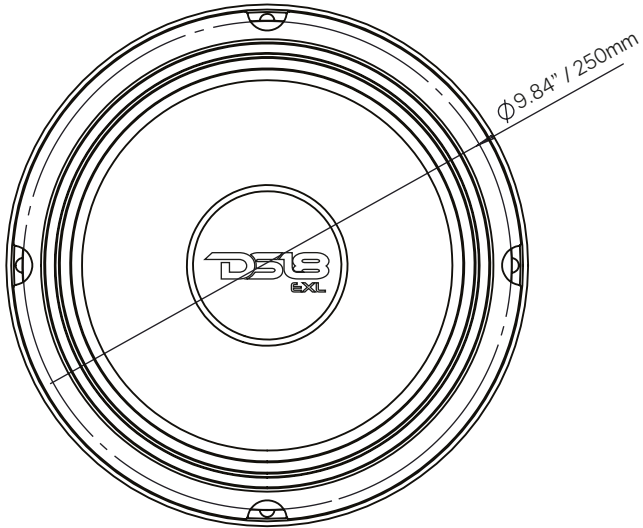
The logo for DS18, featuring the letters 'DS18' in a bold, stylized font. The 'D' and 'S' are connected, and the '18' is separate. A registered trademark symbol (®) is located to the upper right of the '8'.

**DS18<sup>®</sup>**

**OWNER'S MANUAL**  
**PRO-EX104**  
10" MIDRANGE LOUDSPEAKER 4 ohms



# PRO-EXL104



**Specifications:**

Nominal Diameter .....	10"
Nominal Impedance .....	4 ohms
MAX Power Handling .....	1000W
RMS Power Handling .....	600W
Sensitivity (1w/1m) .....	96dB
Frequency Response .....	85Hz-12 KHz
Recommended HI Pass Crossover .....	100 Hz

**Motor:**

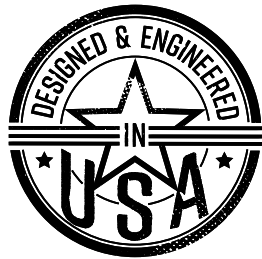
Voice Coil Diameter .....	3"/76.5 mm
Voice Coil Former Material .....	Glass Fiber
Winding Material .....	CCAW
Cone Material .....	Paper
Surround Material .....	Cloth
Basket Material .....	Aluminum
Magnet Material .....	Ferrite
Magnet Weight .....	80oz
Displacement Volume .....	0.035L

**Thiele & Small Parameters:**

Equivalent Volume	Vas .....	7.5L
Excursion	X-max .....	11 mm
Free Air Resonance	Fs .....	103 Hz
Mechanical Factor	Qms .....	2.918
Electrical Factor	Qes .....	0.452
Total Factor	Qts .....	0.391
Dc Resistance	Re .....	3.2 ohms

**Measurements**

Overall Diameter .....	10.3"/261.5 mm
Front Mount Baffle Cutout .....	9.21"/234 mm
Mounting Depth .....	4.68"/119 mm
Overall Depth .....	5.07"/129 mm
Motor Diameter .....	7.47"/190 mm



FOR MORE INFORMATION  
PLEASE VISIT  
[DS18.COM](http://DS18.COM)

*WE LIKE IT LOUD*



**DS18<sup>®</sup>**