

DS18 PRO

PRO-DRNSC 1 INCH DRIVER

SPECIFICATIONS:

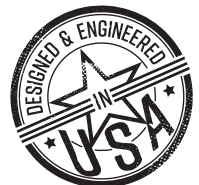
Nominal Impedance	4 ohms
RMS Power Handling	25 WATTS
Maximum Power Handling	50 WATTS
Sensitivity (1w/1m)	110dB
Frequency Response	15KHz-18KHz
Recommended Hi Pass Crossover	3KHz
Recommended Mylar Capacitor	4.7UF@50V
Winding Material	Aluminium Wire
Diaphragm Material	Composite Polyimide
Frame Material	Aluminium
Magnet	Neodymium
Overall Width	Ø60.6mm / 2.38"
Overall Depth	52.5mm / 2.06"
Voice Coil Diameter	25.4mm / 1"
Screw on	34.2mm / 1 3/8"-18
Mounting Depth	316mm / 12.4"

SHIPPING INFO:

Gross Single Unit Weight	0.34kg
Quantity of Units in Master Carton	24pcs/ctn
Gross Master Carton Weight	9kg
Master Carton Dimensions W x L x H	300mm / 11.81" x 210mm / 8.26" x 160mm / 6.29"
Single Unit Box Dimensions W x L x H	68mm / 2.67" x 68mm / 2.67" x 60mm / 2.36"



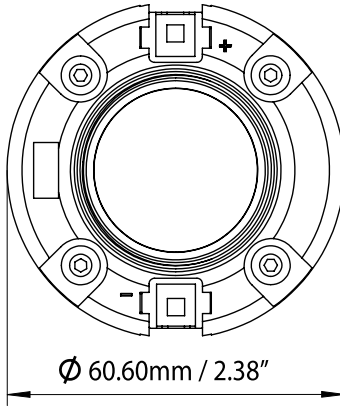
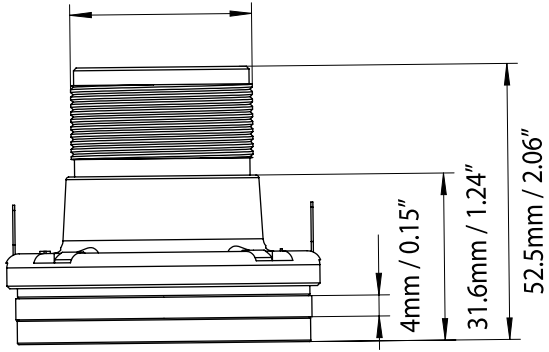
#WELIKEIT
LOUD
f i y t
DS18.COM



MS18

PRO

Ø 34.2mm | 1 3/8"-18



PRO-IDIRNSC 1 INCH DRIVER

