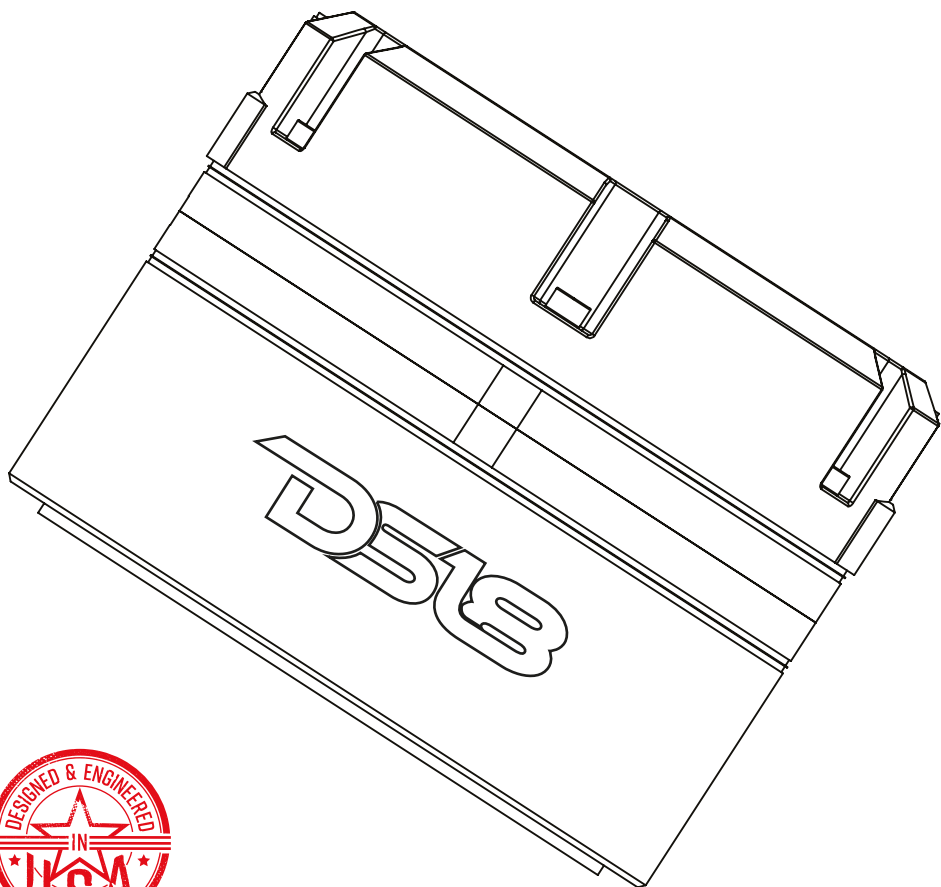




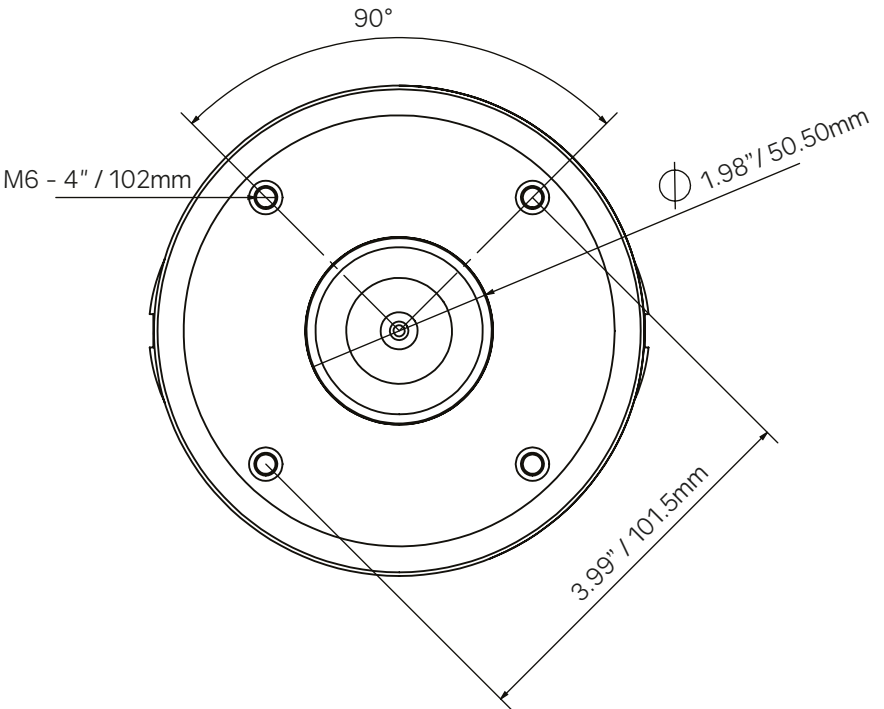
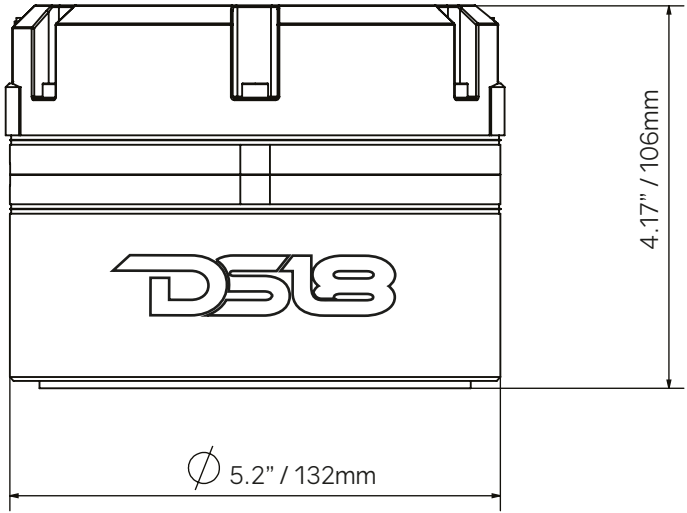
DS18[®]
PRO

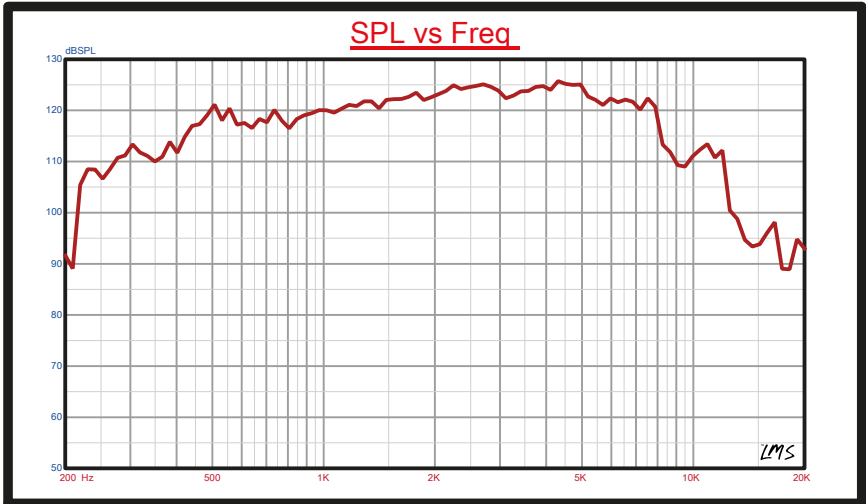
OWNER'S MANUAL
PRO-DRNMD

DUAL 3.5" VC NEODYMIUM POLYESTER
MID COMPRESSION DRIVER



PRO-DRNMD





Specifications

Throat Diameter.....	2" / 50.8mm
Installation Type.....	Bolt-on
Nominal Impedance.....	8 ohm
Peak Power Handling	880W
Program Power Handling	440W
AES Power Handling	220W
Sensitivity (1w/1m).....	123dB
Frequency Response.....	250Hz - 12.5KHz
Recommended Crossover.....	600Hz

Motor

Voice Coil Diameter.....	Dual 3.5" / 90 mm
Voice Coil Former Material.....	Kapton
Winding Material.....	CCAW
Diaphragm Material.....	Polyester
Magnet Material.....	Neodymium

Measurements

Overall Diameter.....	5.2" / 132mm
Overall Depth.....	4.17" / 106mm
Bolt Pattern.....	M6 - 4" / 102mm



FOR MORE INFORMATION
PLEASE VISIT
DS18.COM

WE LIKE IT LOUD

The DS18 logo, featuring the letters "DS18" in a bold, italicized, sans-serif font. A registered trademark symbol (®) is located at the top right of the number "8".

DS18[®]