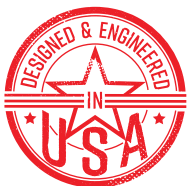
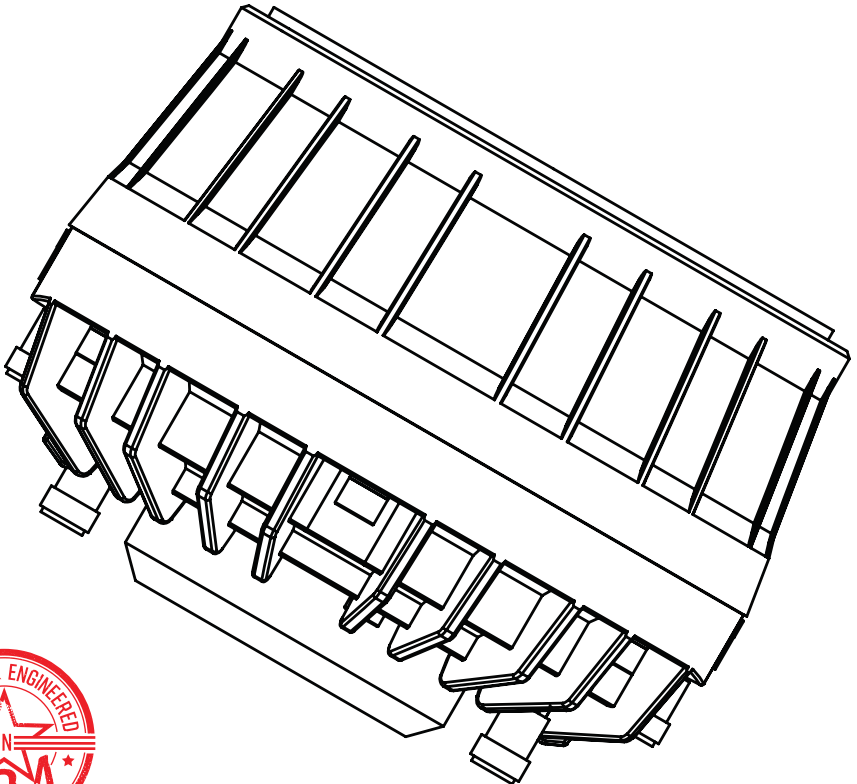




DS18[®]
PRO

OWNER'S MANUAL PRO-DRNCOAX

NEODYMIUM POLYESTER MID-DRIVER + BULLET
TWEETER COAXIAL COMPRESSION DRIVER



GENERAL SPECIFICATIONS:

Throat Diameter 2"/50.8mm
Installation Type..... Bolt-on
Sensitivity (1w/1m) 118dB
Frequency Response 315Hz-20KHz

MID-DRIVER SPECIFICATIONS

Peak Power Handling 640W
Program Power Handling 320W
AES Power Handling 160W
Frequency Response 315Hz - 20KHz
Recommended Band-Pass Crossover 630Hz - 5KHz

TWEETER SPECIFICATIONS

Peak Power Handling 240W
Program Power Handling 120W
AES Power Handling 60W
Frequency Response 4KHz - 20KHz
Recommended Hi-Pass Crossover 5KHz

MOTOR

Tweeter Voice Coil Diameter 1.75"/44.4mm
Mid-Drive Voice Coil Diameter 3.5"/90mm
Voice Coil Former Material Kapton
Winding Material CCAW
Diaphragm Material Polyester
Magnet Material..... Neodymium

MEASUREMENTS

Overall Diameter 5.5"/140 mm
Overall Depth 3.9"/101 mm
Bolt Pattern..... M6 - 4"/102mm



FOR MORE INFORMATION
PLEASE VISIT
DS18.COM

WE LIKE IT LOUD

The logo for DS18 PRO, featuring the letters "DS18" in a large, bold, stylized font with a registered trademark symbol. Below it, the word "PRO" is written in a smaller, all-caps font. A red graphic element, resembling a stylized lightning bolt or a curved line, is positioned to the left of the logo.

DS18[®]
PRO