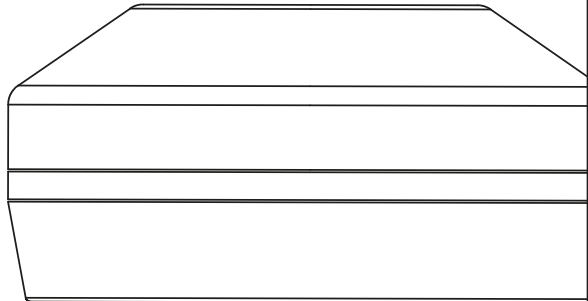
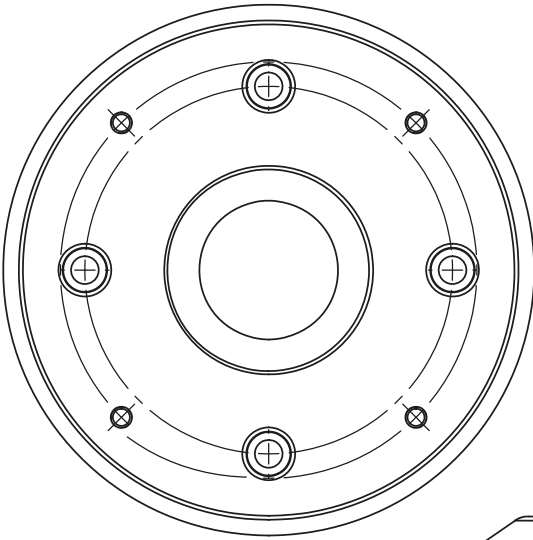


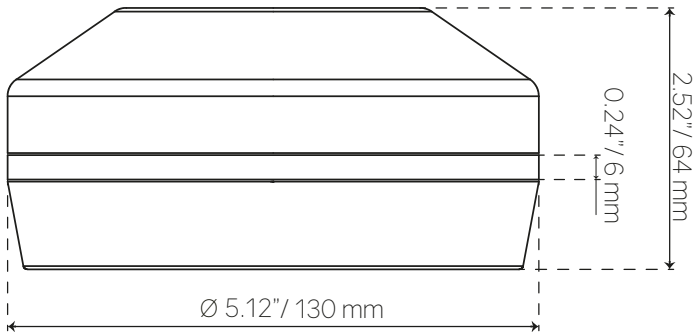
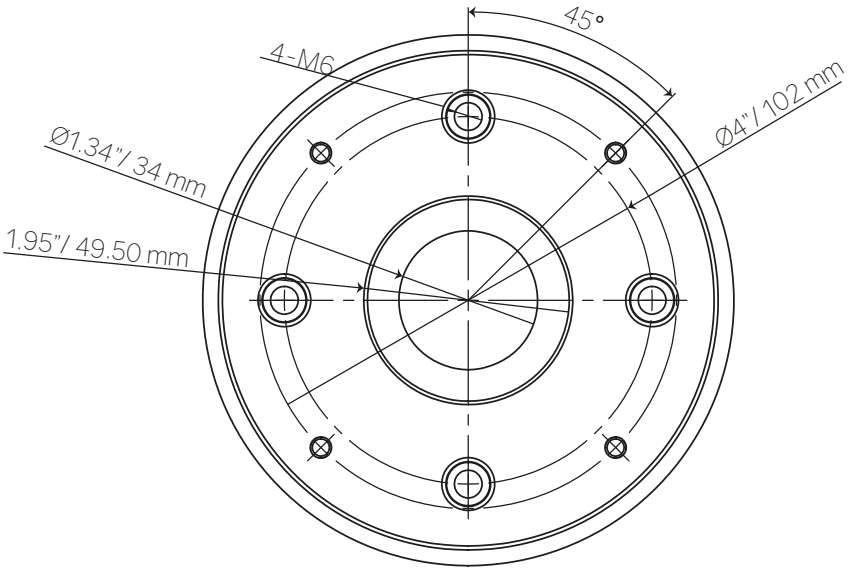


**DSL8<sup>®</sup>**  
**PRO**

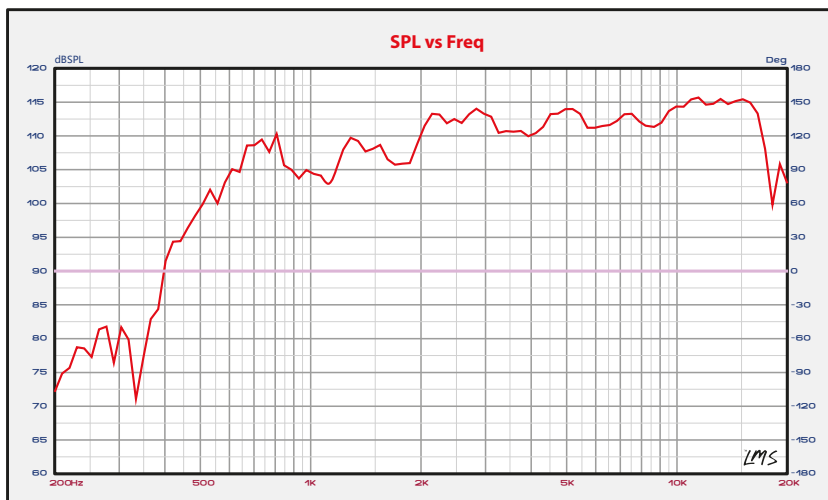
**OWNER'S MANUAL**  
**PRO-DRN3**  
3" TITANIUM VC NEODYMIUM  
COMPRESSION DRIVER



# PRO-DRN3



**WE LIKE IT LOUD**



### Specifications:

Throat Diameter .....	2"/50.8 mm
Installation Type.....	Bolt-On
Nominal Impedance .....	8 OHMS
Peak Power Handling .....	900W
Program Power Handling .....	450W
AES Power Handling .....	225W
Sensitivity (1w/1m) .....	110 dB
Frequency Response .....	500hz-18KHz
Recommended HI Pass Crossover .....	800 Hz

### Motor

Voice Coil Diameter.....	3"/75 mm
Voice Coil Former Material .....	Kapton
Winding Material .....	Aluminum Wire
Diaphragm Material .....	Titanium
Magnet Material.....	Neodymium
Magnet Weight .....	0.38 oz
Body Material .....	Aluminum

### Measurements

Overall Width.....	5.12"/130 mm
Overall Depth .....	2.52"/64 mm
Bolt Pattern/Type.....	4"/102 mm - M6



FOR MORE INFORMATION  
PLEASE VISIT  
[DS18.COM](http://DS18.COM)

*WE LIKE IT LOUD*

The DS18 logo, consisting of the letters "DS18" in a bold, stylized, italicized font. The "D" and "S" are connected, and the "18" is separate. A registered trademark symbol (®) is located to the upper right of the "8".

**DS18<sup>®</sup>**