



PRO-DRN3

Throat Diameter: 2" (50.8mm)

Mounting Type: Bolt-On

Nominal Impedance: 8 ohm

RMS Power Handling: 300 Watts

MAX Power Handling: 600 Watts

Sensitivity (1W/1M): 110 dB

Frequency Range: 500 Hz - 18 KHz

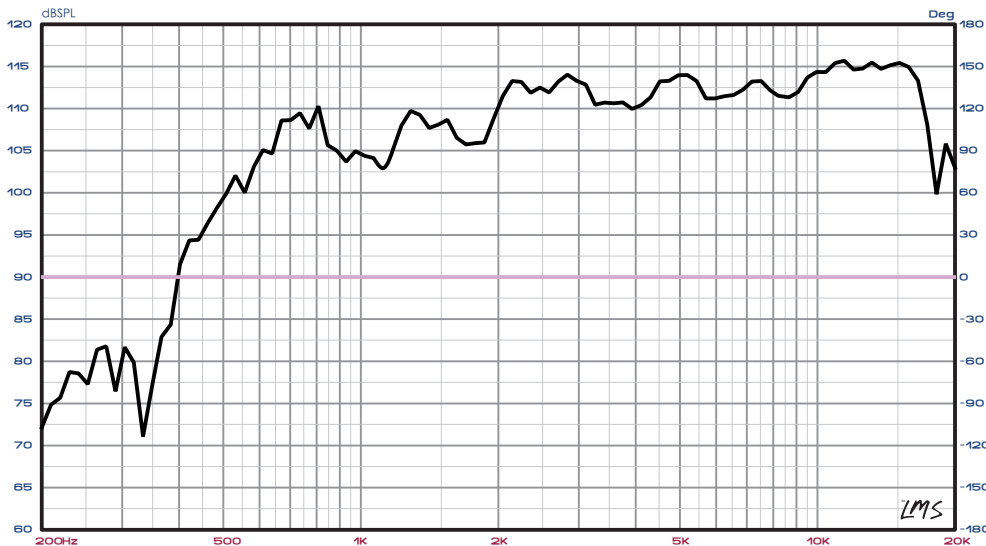
Diaphragm Material: Titanium

Voice Coil Diameter: 3" (75 mm)

Voice Coil Material: Pure Aluminum

Magnet Material: Neodymium

SPL vs Freq



PRO-DRN3

3" **NEODYMIUM DRIVER**

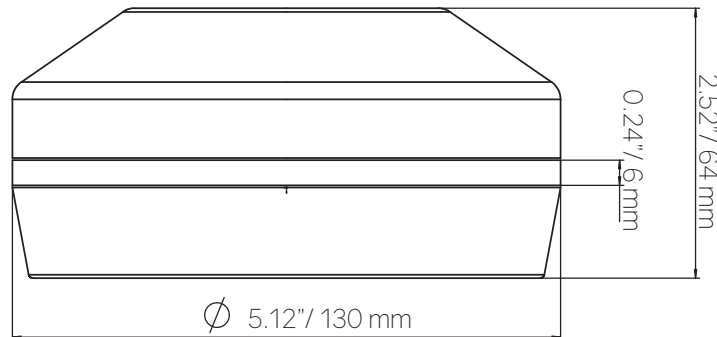
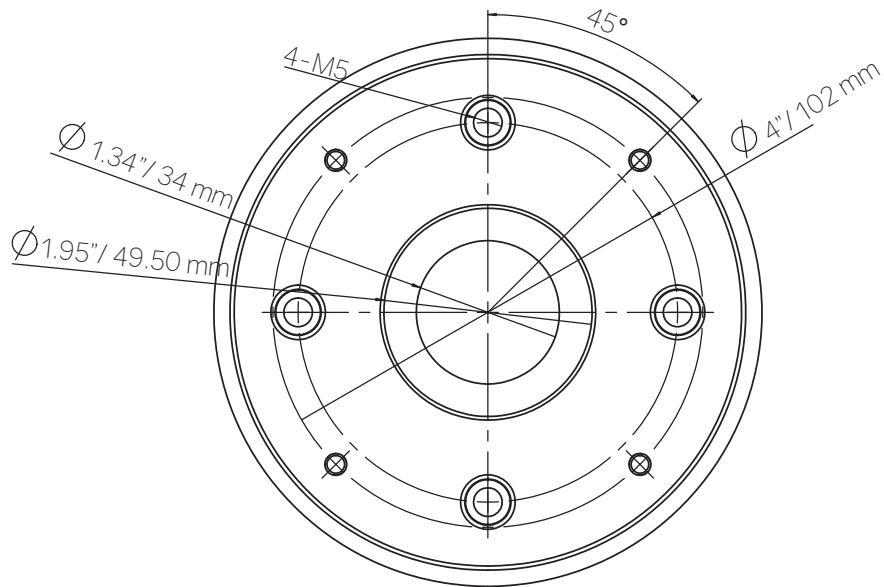
OWNER'S MANUAL

WeLikeItLoud



PRO-DRN3

3" NEODYMIUM DRIVER



Data Sheet

Specifications

| | |
|------------------------------------|-------------------------------|
| Nominal Impedance..... | 8 OHMS |
| RMS Power Handling..... | 300W |
| MAX Power Handling..... | 600W |
| Sensitivity (1w/1m)..... | 110 dB |
| Frequency Response..... | 500 HZ - 18 KHZ |
| Recommended Hi Pass Crossover..... | 800Hz |
| Voice Coil Diameter..... | 3" (75mm) |
| Diaphragm Material..... | Titanium |
| Frame Material..... | Aluminum |
| Basket Material..... | Aluminum |
| Magnet Material..... | Neodymium |
| Winding Material..... | Pure Aluminium Ribbon Wire |

Measurements

| | |
|------------------------|----------------|
| Overall Depth..... | 2.52" (64 mm) |
| Overall Width..... | 5.12" (130 mm) |
| Bolt Pattern Horn..... | Ø 4" (102 mm) |

Shipping Info

| | |
|---|--|
| Gross Single Unit Weight..... | |
| Single Unit Box Dimensions W x L x H..... | |
| Quantity of Units in Master Carton..... | |
| Gross Master Carton Weight..... | |
| Master Carton Dimensions W x L x H..... | |

PRO-DRN3 3" NEODYMIUM DRIVER