



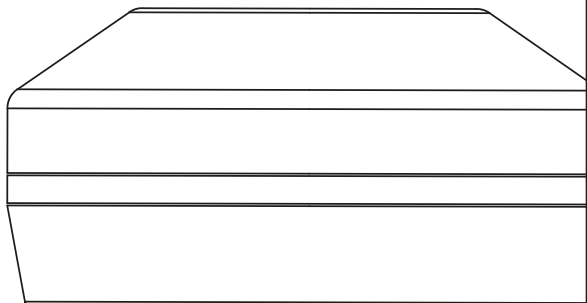
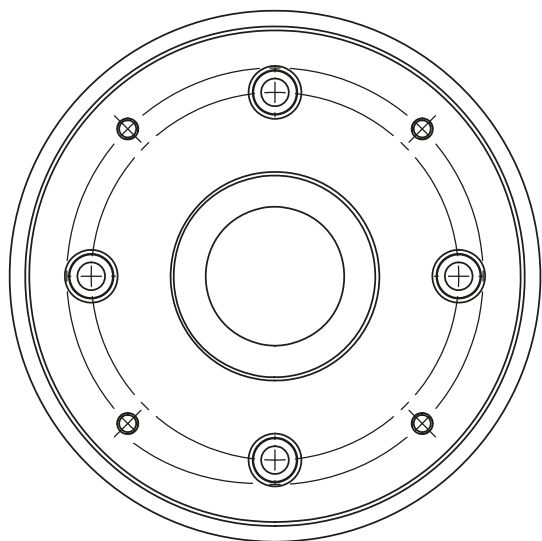
DS18[®]

PRO

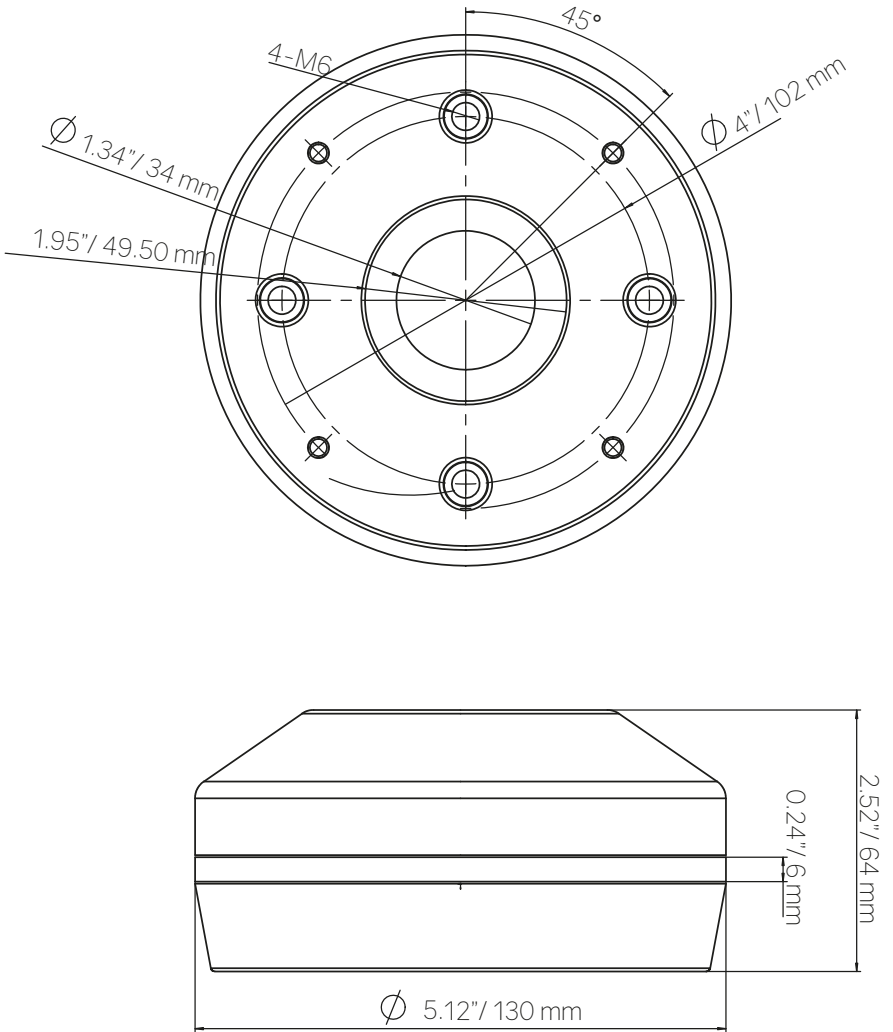
OWNER'S MANUAL

PRO-DRN3PH

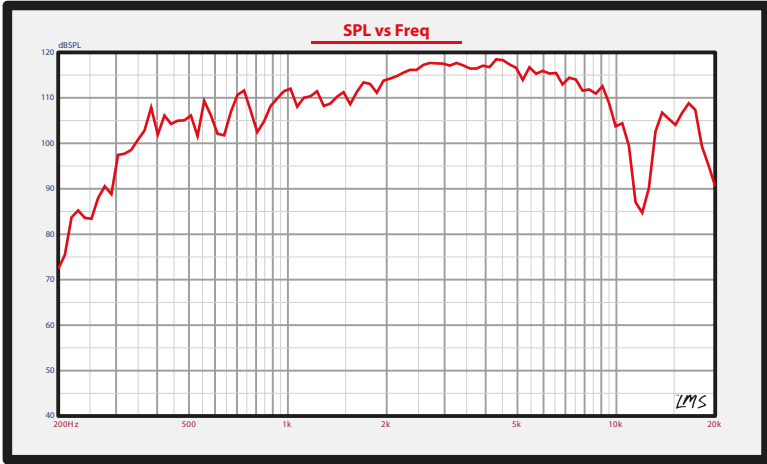
3" PHENOLIC VC NEODYMIUM
COMPRESSION DRIVER



PRO-DRN3PH



WE LIKE IT LOUD



PIRO-DIRN3PH

Specifications

- Throat Diameter..... 2"
- Installation Type..... Bolt-On
- Nominal Impedance..... 8 ohms
- AES Power Handling 225W
- Program Power Handling 450W
- Peak Power Handling 900W
- Sensitivity (1w/1m)..... 110 dB
- Frequency Response 500Hz-10KHz
- Recommended Hi PassCrossoverf 800 Hz

Motor

- Voice Coil Diameter..... 3" / 75mm
- Voice Coil Former Material Kapton
- Winding Material Aluminum Wire
- Diaphragm Material..... Phenolic
- Magnet Material..... Neodymium
- Magnet Diameter..... 130mm
- Body Material..... Aluminum

Measurements

- Overall Width..... 5.12" / 130mm
- Overall Depth..... 2.52" / 64mm
- Bolt Pattern/Type 4" / 102mm - M6



FOR MORE INFORMATION
PLEASE VISIT
DS18.COM

WE LIKE IT LOUD



DS18[®]



DS18[®]
PRO