

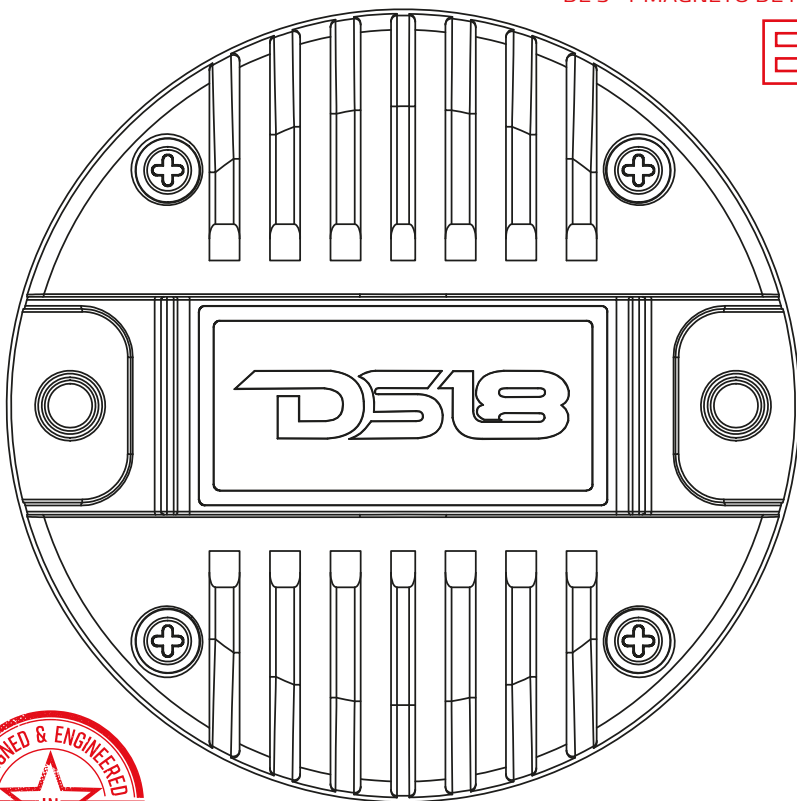


DS18[®]

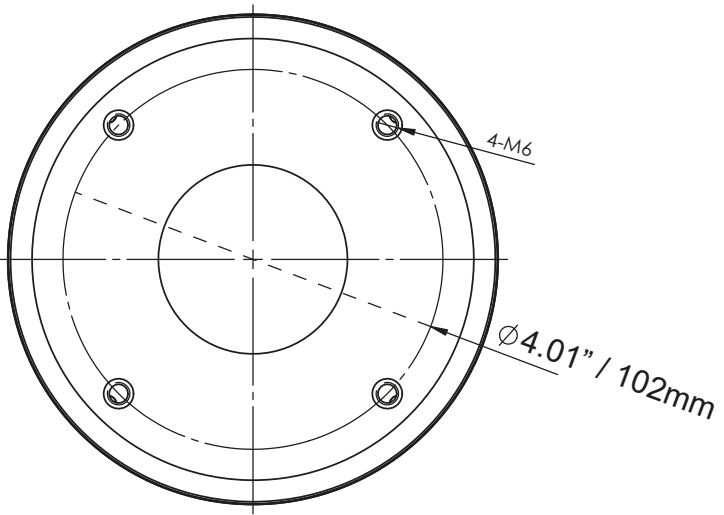
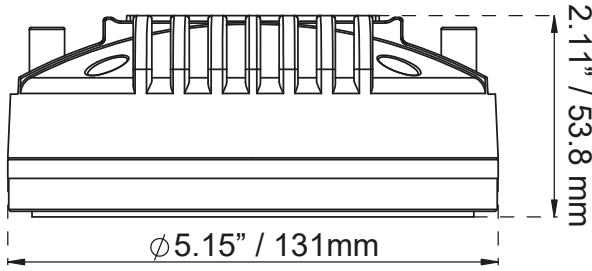
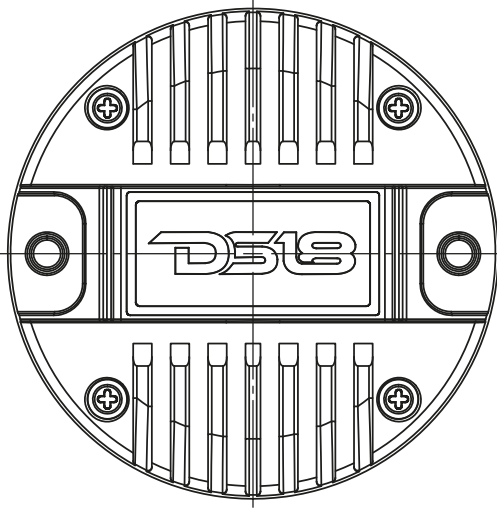
OWNER'S MANUAL
MANUAL DE USUARIO

PRO-DRN2
3" TITANIUM VOICE COIL
BOLT-ON COMPRESSION DRIVER
WITH NEODYMIUM MAGNET

DRIVER DE COMPRESION PARA
ATORNILLAR CON BOBINA DE TITANIO
DE 3" Y MAGNETO DE NEODIMIO

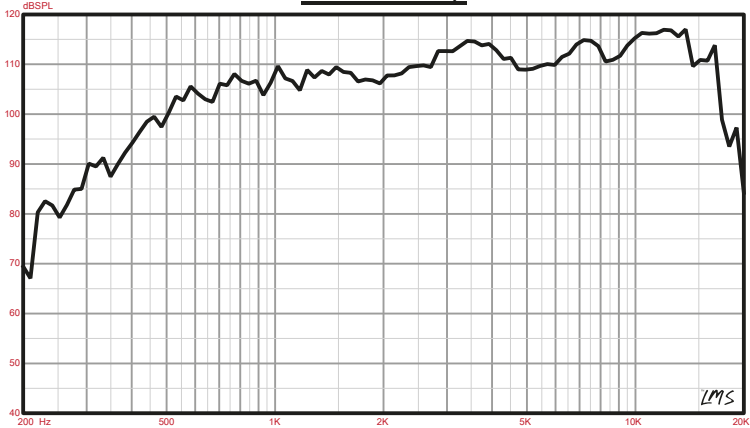


PRO-DRN2





SPL vs Freq



SPECIFICATIONS / ESPECIFICACIONES:

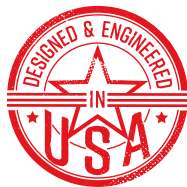
Throat Diameter / Diámetro de la Garganta	2" / 50.8 mm
Installation Type / Tipo de Instalacion	Bolt on
Nominal Impedance / Impedancia Nominal	8 ohm
AES Power Handling / Manejo de Potencia AES	200W
Program Power Handling / Manejo de Potencia Program	400W
Peak Power Handling / Manejo de Potencia Peak	800W
Sensitivity (1w/1m) / Sensibilidad (1w/1m)	110dB
Frequency Response / Respuesta de Frecuencia	500Hz-18KHz
Recommended Hi Pass Crossover / Crossover de Paso Alto Recomendado	800 Hz

MOTOR / MOTOR

Voice Coil Diameter / Diámetro de la Bobina de Voz.....	3" / 76.2 mm
VC Former Material / Material Interior de Bobina Móvil	Kapton
Winding Material / Material de Bobinado.....	Aluminum / Aluminio
Diaphragm Material / Material del Diafragma	Titanium / Titanio
Magnet Material / Material del Imán.....	Neodymium / Neodimio
Magnet Weight / Peso del Imán	12 oz
Body Material / Material de la Carcasa	Aluminum / Aluminio
Body Color/Finish / Color/Acabado de la Carcasa	Black/Machined / Negro/Mecanizado

MEASUREMENTS / MEDIDAS:

Overall Diameter / Diámetro Total.....	5.15" / 131mm
Overall Depth / Profundidad Total.....	2.11" / 53.8mm
Bolt Pattern - Type / Patrón de Perno - Tipo	4*M6
Mounting Depth / Profundidad de Montaje.....	2.11" / 53.8mm



FOR MORE INFORMATION
PLEASE VISIT
DS18.COM

WE LIKE IT LOUD

The DS18 logo, consisting of the letters "DS18" in a bold, stylized, red font. The "D" and "S" are connected, and the "18" is slightly offset. A registered trademark symbol (®) is located to the upper right of the "8".

DS18[®]