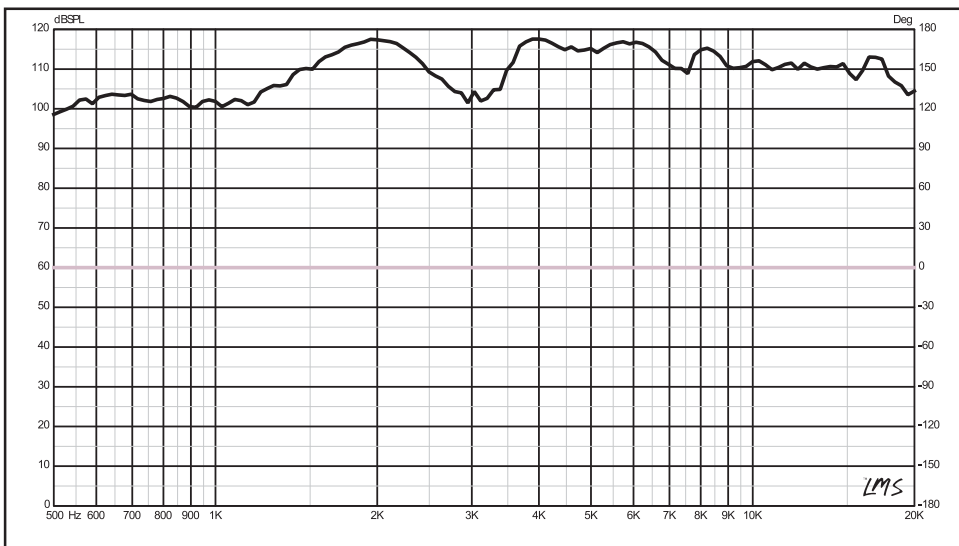




PRO-DR2

- Titanium Compression Driver
- Throat Diameter: 1"
- RMS Power Handling: 400 Watts
- MAX Power Handling: 800 Watts
- Frequency Response: 980Hz-20KHz
- Voice Coil Diameter: 2"
- Diaphragm Material: Titanium
- Nominal Impedance: 8 ohms
- Sensitivity (1W/1M): 110dB
- Magnet Weight: 38 oz
- Magnet Material: Ferrite
- Depth: 3.07"/ 78 mm
- Bolt Type: Screw Down

SPL vs Freq



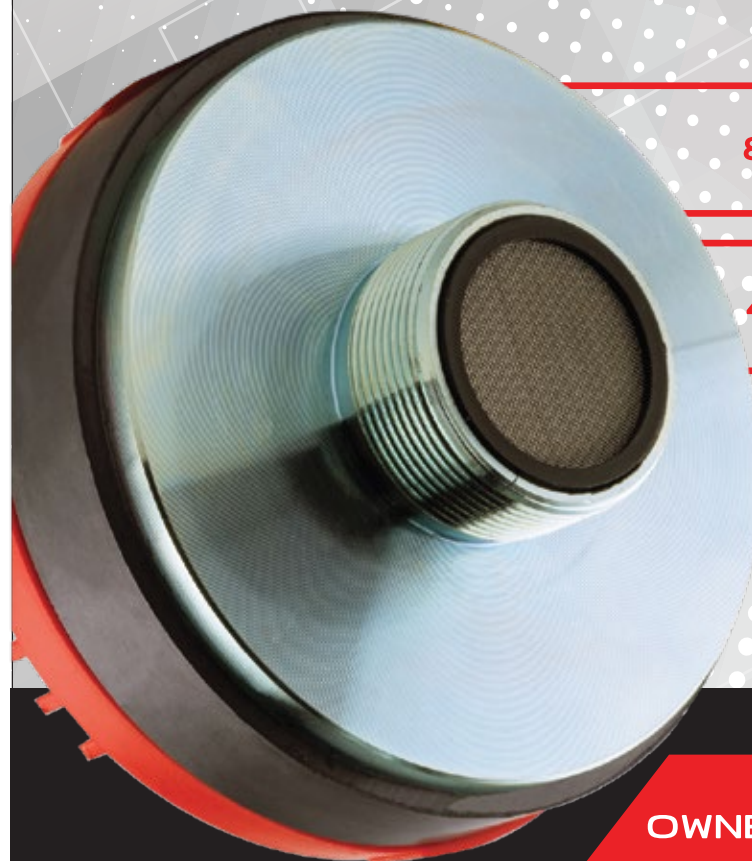
PRO-DR2

2" VC
COMPRESSION
DRIVER

800W MAX

400W RMS

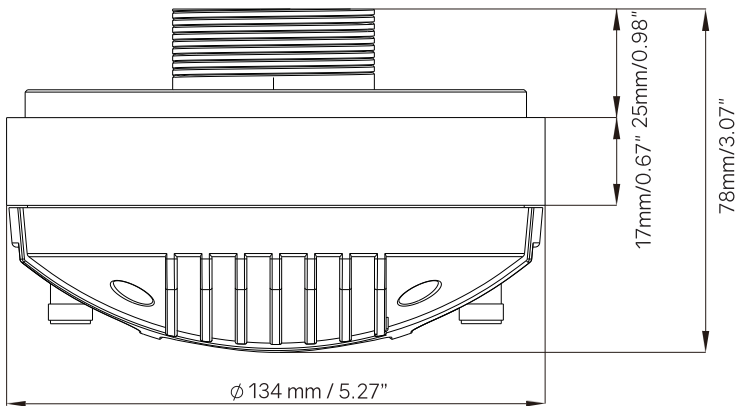
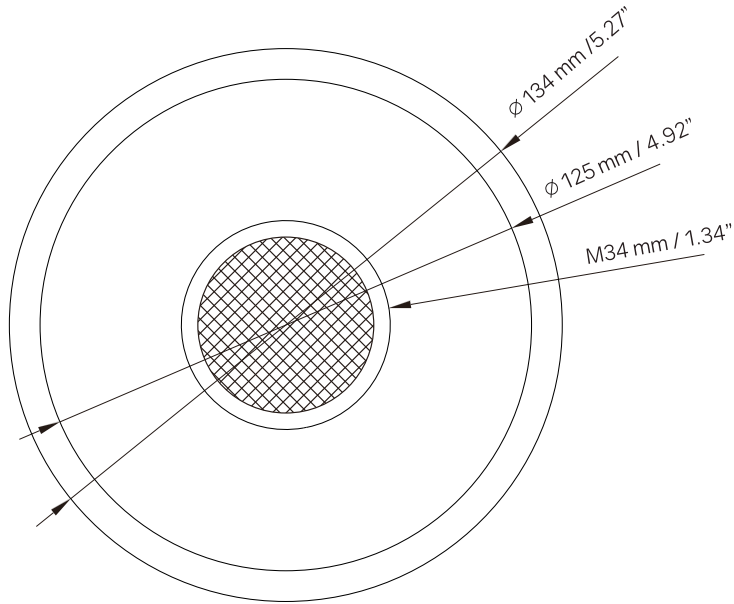
8 OHMS



OWNER'S MANUAL

PRO-DR2

TITANIUM COMPRESSION DRIVER



WWW.DS18.COM

Data Sheet

Specifications

2" VOICE COIL TITANIUM COMPRESSION DRIVER

Nominal Impedance	8 ohms
Throat Diameter	1"
RMS Power Handling	400 Watts
MAX Power Handling	800 Watts
Sensitivity (1w/1m)	110dB
Frequency Response	980Hz-20KHz
Recommended Hi Pass Crossover	1.6KHz
Voice Coil Diameter	2"
Diaphragm Material	Titanium
Magnet Material	Ferrite
Magnet Weight	38 oz
Bolt Type	Screw Down

Measurements

Overall Diameter	5.27" / 134 mm
Overall Depth	3.07" / 78 mm

Shipping Info

Gross Single Unit Weight.....	
Single Unit Box Dimensions W x L x H.....	
Quantity of Units in Master Carton.....	
Gross Master Carton Weight	
Master Carton Dimensions W x L x H.....	

WeLikeItLoud

