

# DS18<sup>®</sup>

PRO

## PRO-DR1P

PHENOLIC COMPRESSION DRIVER

1" VC



240W  
Peak Power

120W  
Program Power

8 OHMS

OWNER'S  
MANUAL



# Data Sheet

1" VC PHENOLIC COMPRESSION DRIVER  
PRO-DR1P

### Specifications:

Throat Diameter .....	1" / 25.4 mm
Installation Type .....	Screw Down
Nominal Impedance .....	8 ohms
Peak Power Handling .....	240W
Program Power Handling .....	120W
AES Power .....	60W
Sensitivity (1w/1m) .....	103 dB
Frequency Response .....	800Hz-20KHz
Recommended Hi Pass Crossover .....	900 Hz

### Motor:

Voice Coil Diameter .....	1" / 25.4 mm
Voice Coil Former Material .....	Kapton
Winding Material .....	CCA
Diaphragm Material .....	Phenolic
Magnet Material .....	Ferrite
Magnet Weight .....	0.38 oz

### Measurements:

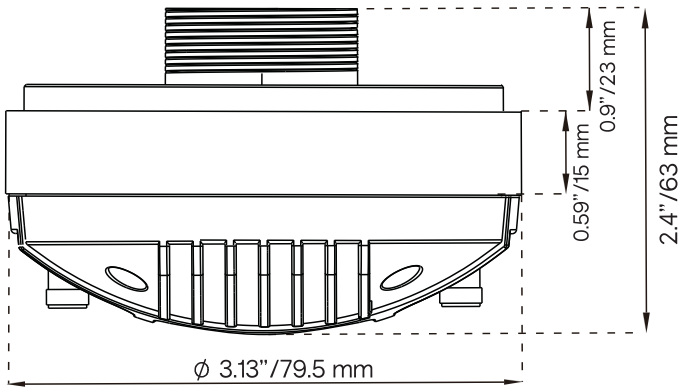
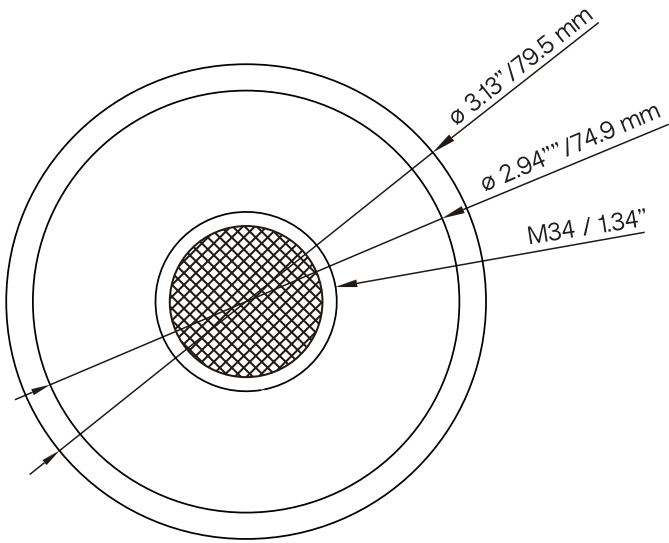
Overall Diameter .....	3.13" / 79.5 mm
Overall Depth .....	2.4" / 63 mm
Bolt Type .....	M34
Mounting Depth .....	1.79" / 45.5 mm

#WeLikeItLoud



# PRO-DRIP

PHENOLIC COMPRESSION DRIVER



[WWW.DS18.COM](http://WWW.DS18.COM)

# DS18<sup>®</sup>

## PRO

### PRO-DR41P

PHENOLIC COMPRESSION DRIVER

Peak Power Handling: 240 Watts  
Program Power Handling: 120 Watts  
AES Rated Power: 60 Watts  
Sensitivity (1w/1m): 103dB  
Frequency Response: 800Hz-20KHz  
Nominal Impedance: 8 ohm  
Throat Diameter: 1"  
Recommended Hi Pass Crossover: 900Hz  
Voice Coil Diameter: 1"  
Diaphragm Material: Phenolic  
Magnet Material: Ferrite  
Magnet Weight: 0.38 oz  
Installation Type: Screw Down

### SPL vs Freq

