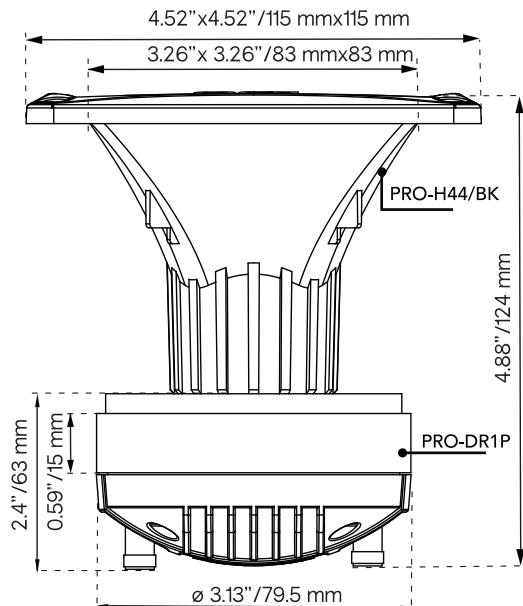
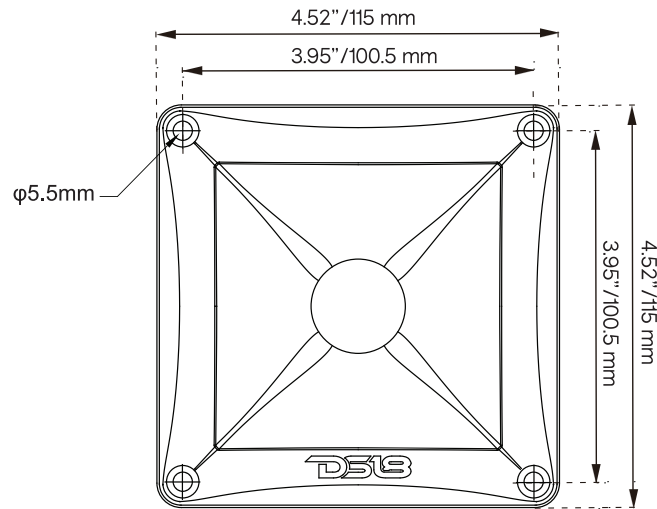


PRO-DR1PK44

PHENOLIC COMPRESSION DRIVER WITH HORN



WWW.DS18.COM

Data Sheet

PRO-DR1PK44 1" PHENOLIC COMPRESSION DRIVER KIT WITH HORN

Specifications:

Throat Diameter	1"/25.4mm
Horn Diameter	3.14x3.14"/80x80mm
Horn Depth	2.36"/60mm
Installation Type	Screw Down
Nominal Impedance	8 ohm
Peak Power Handling	240W
Program Power Handling	120W
AES Power Handling	60W
Sensitivity with Horn (1w/1m)	107.3dB
Frequency Response	800Hz-20KHz
Recommended Hi Pass Crossover	900 Hz

Motor

Voice Coil Diameter	1"/25.4 mm
Voice Coil Former Material	Kapton
Winding Material	CCA
Diaphragm Material	Phenolic
Magnet Material	Ferrite
Magnet Weight	0.38 oz

Measurements

Overall Diameter	4.52"/115 mm
Overall Depth	4.88"/124 mm
Bolt Pattern	3.95"/100.5 mm
Mounting Depth	4.56"/116 mm
Mounting Hole	3.26x3.26"/83x83 mm

WeLikeItLoud



DS18[®]

PRO

DS18[®]

PRO

PRO-DR1PK44
PHENOLIC COMPRESSION DRIVER KIT WITH HORN

Peak Power Handling: 240 Watts
Program Power Handling: 120 Watts
AES Rated Power: 60 Watts
Sensitivity (1w/1m): 107.3dB
Frequency Response: 800Hz-20KHz
Nominal Impedance: 8 ohm
Throat Diameter: 1"
Recommended Hi Pass Crossover: 900Hz
Voice Coil Diameter: 1"
Diaphragm Material: Phenolic
Magnet Material: Ferrite
Magnet Weight: 0.38 oz
Installation Type: Screw Down

PRO-DR1PK44

1" VC

PHENOLIC
COMPRESSION
DRIVER WITH HORN

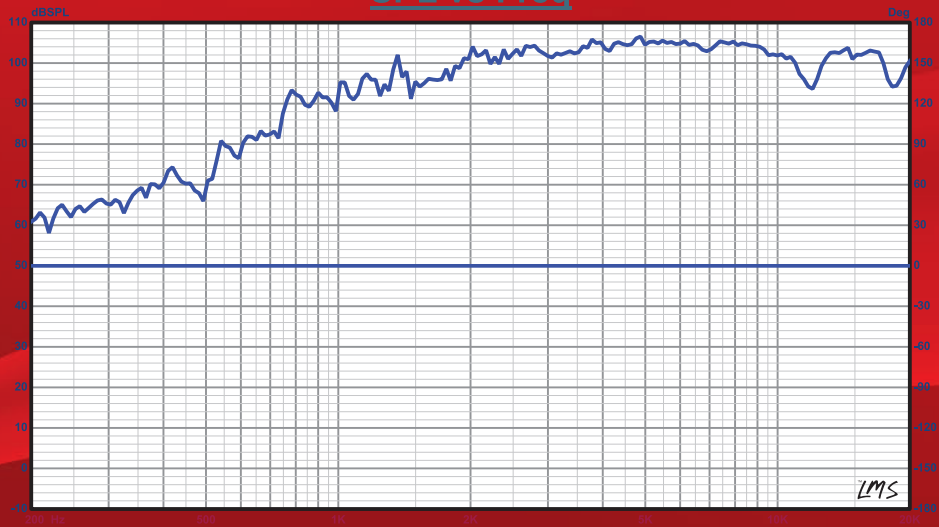


240W
Peak Power

120W
Program Power

8 OHMS

SPL vs Freq



WWW.DS18.COM

OWNER'S
MANUAL

