

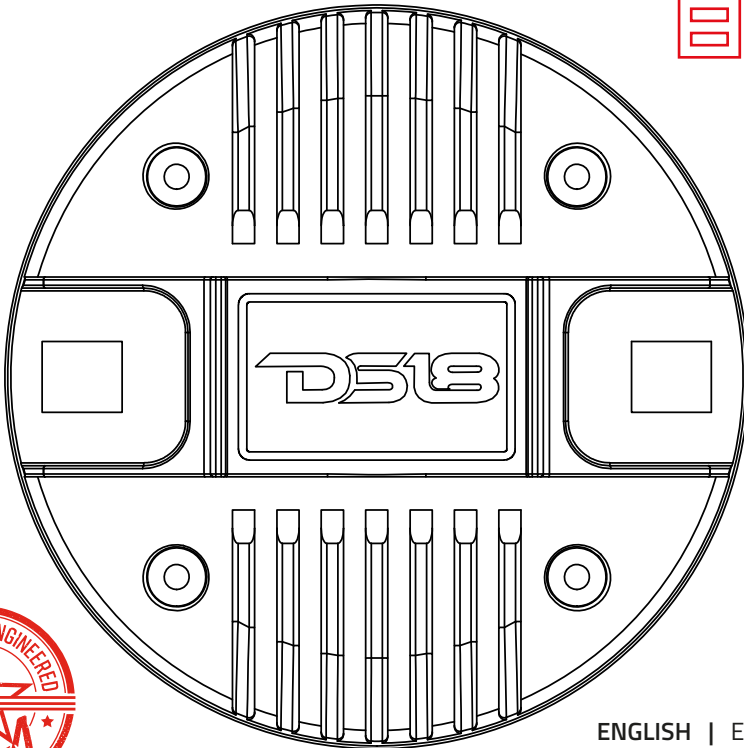


DS18[®]

OWNER'S MANUAL MANUAL DE USUARIO

PRO-DPL 1PH 2" THROAT COMPRESSION DRIVER WITH 2" PHENOLIC VOICE COIL

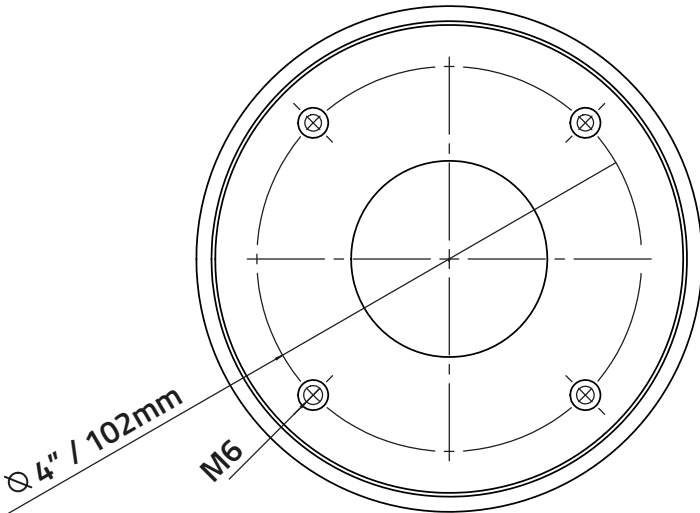
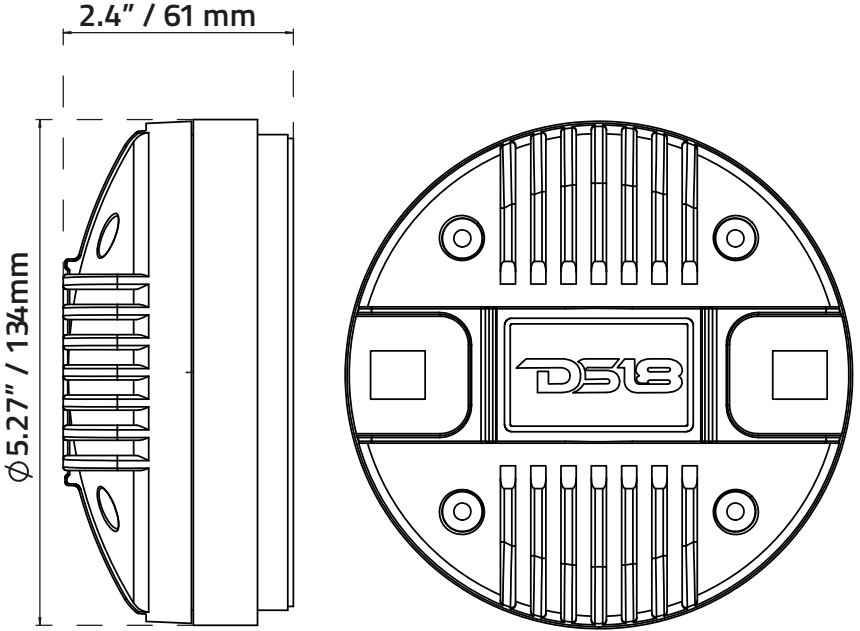
*DRIVER DE COMPRESION CON
BOCA DE 2" Y BOBINA DE
VOZ DE 2" DE FENOLICO*



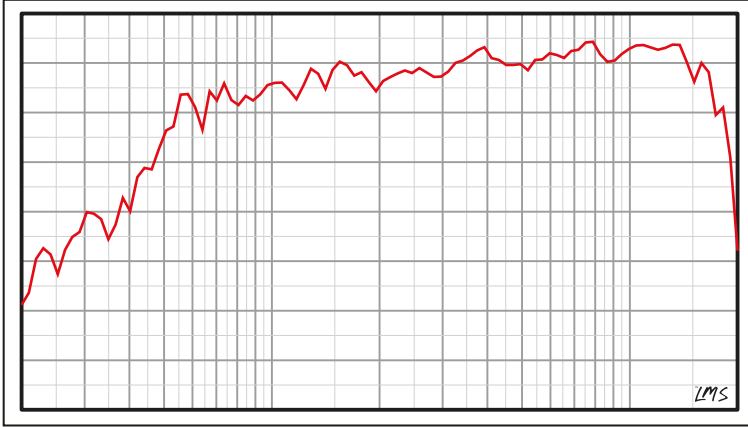
ENGLISH | ESPAÑOL



PRO-DIPLOPH



SPL vs Freq



SPECIFICATIONS / ESPECIFICACIONES:

Throat Diameter / Diámetro de la Garganta.....	2" / 50.8 mm
Installation Type / Tipo de Instalacion.....	Bolt on
Nominal Impedance / Impedancia Nominal	8 OHMS
AES Power Handling / Manejo de Potencia AES.....	160W
Program Power Handling / Manejo de Potencia del Programa	320W
Peak Power Handling / Manejo de Potencia Peak	640W
Sensitivity (1w/1m) / Sensibilidad (1w/1m).....	109dB
Frequency Response / Respuesta de Frecuencia	500Hz-18KHz
Recommended Hi Pass Crossover / Corte Paso Alto Recomendado.....	800 Hz

MOTOR / MOTOR:

Voice Coil Diameter / Diámetro de la Bobina de Voz.....	2.03" / 51.5mm
VC Former Material / Material Interior de Bobina Móvil	Kapton
Winding Material / Material de Bobinado.....	CCA
Diaphragm Material / Material del Diafragma.....	Phenolic / Fenólico
Magnet Material / Material del Imán.....	Ferrite / Ferrita
Magnet Weith / Peso del Imán.....	35 Oz
Body Material / Material del Cuerpo.....	Plastic Cover / Carcasa Plastica

MEASUREMENTS / MEDIDAS:

Overall Diameter / Diámetro Total.....	5.27" / 134mm
Overall Depth / Profundidad Total.....	2.4" / 61mm
Bolt Pattern - Type / Patrón de Perno - Tipo.....	4" / 102mm - M6



FOR MORE INFORMATION
PLEASE VISIT
DS18.COM

WE LIKE IT LOUD

The DS18 logo, featuring the letters 'DS18' in a bold, stylized, red font. The 'D' and 'S' are connected, and the '18' is separate. A registered trademark symbol (®) is located to the upper right of the '8'.

DS18[®]