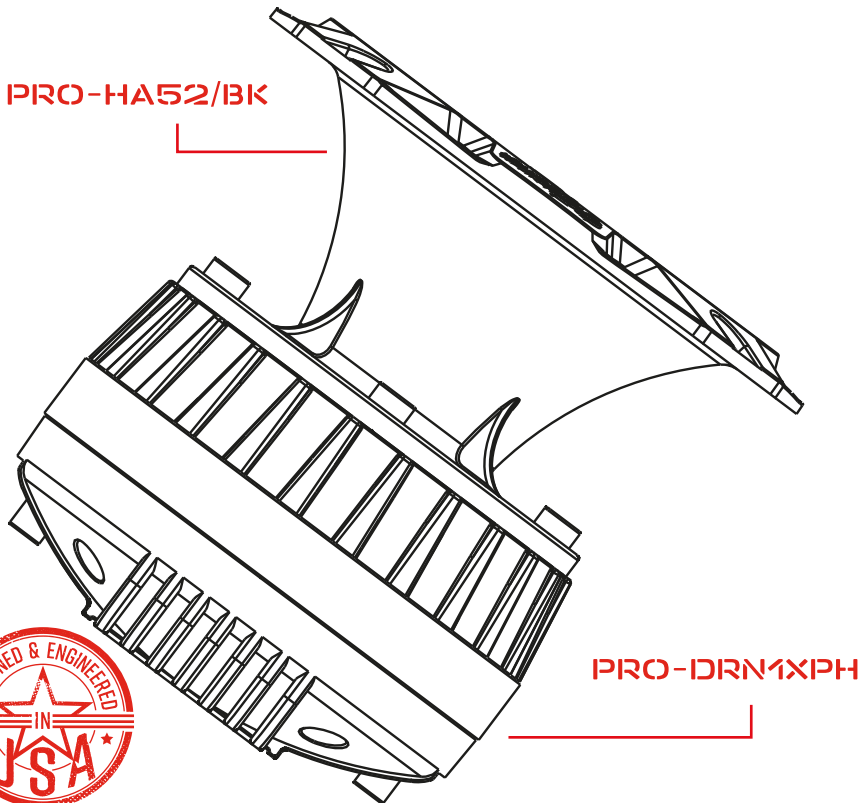




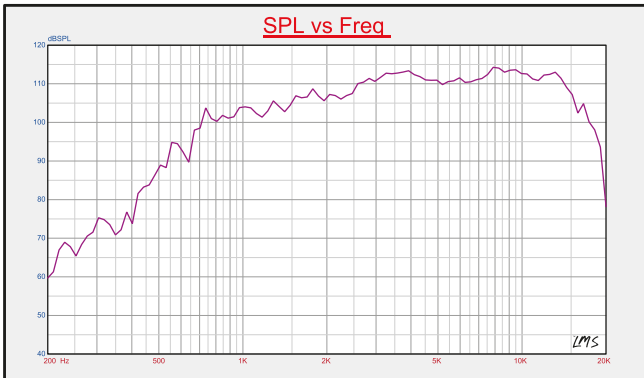
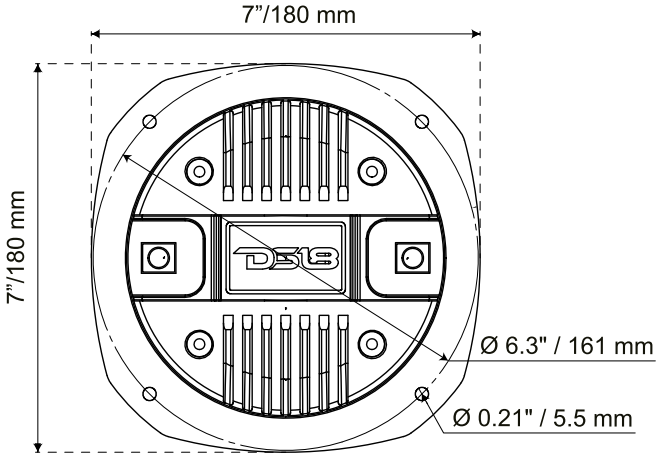
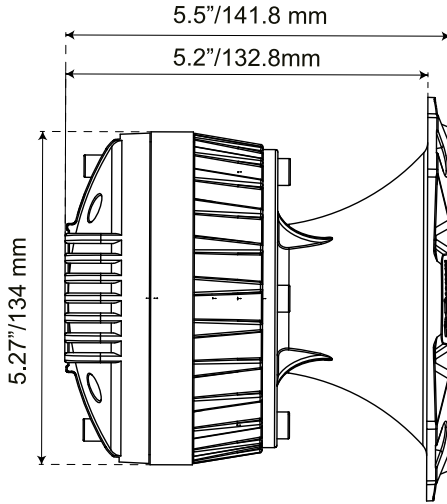
# DS18<sup>®</sup>

## OWNER'S MANUAL PRO-DKN1XSPH

NEODYMIUM PHENOLIC COMPRESSION  
DRIVER WITH SHORT ALUMINUM HORN KIT



# PRO-DKN1XSPH





**Specifications:**

Throat Diameter .....	2"/50.8mm
Installation Type.....	Bolt-on
Nominal Impedance .....	8 OHMS
Peak Power Handling .....	680W
Program Power Handling .....	340W
AES Power Handling.....	170W
Sensitivity (1w/1m) .....	117 dB
Frequency Response .....	630Hz-16KHz
Recommended HI Pass Crossover .....	900 Hz

**Motor**

Voice Coil Diameter.....	2.03"/51mm
Voice Coil Former Material .....	Kapton
Winding Material .....	CCA
Diaphragm Material.....	Phenolic
Magnet Material.....	Neodymium
Magnet size .....	5.27x 0.15"/133.8x 3.81mm

**Measurements**

Overall Diameter .....	7"/180 mm
Overall Depth .....	5"/141.8 mm
Bolt Size .....	Ø 0.21"/5.5 mm
Mounting Depth .....	5.22"/132.8 mm
Mounting Hole Diameter.....	6.3"/161 mm
Motor Diameter.....	5.27"/134 mm

PRO-DKXSPH

**WE LIKE IT LOUD**



FOR MORE INFORMATION  
PLEASE VISIT  
[DS18.COM](http://DS18.COM)

*WE LIKE IT LOUD*

The DS18 logo, featuring the letters "DS18" in a bold, stylized, sans-serif font. The "D" and "S" are connected, and the "18" is slightly offset. A registered trademark symbol (®) is located to the upper right of the "8".

**DS18<sup>®</sup>**