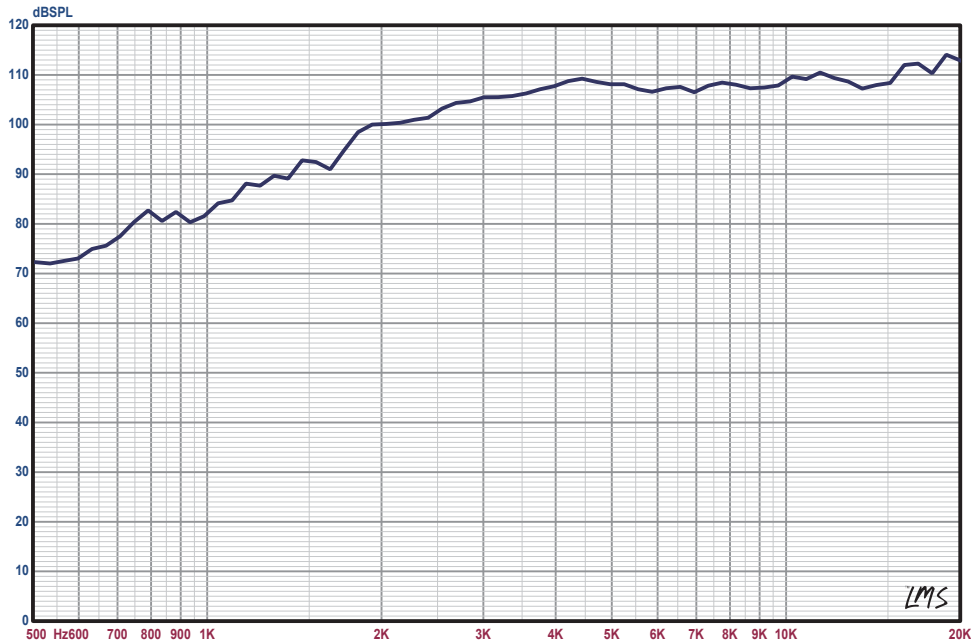




PRO-DKHCL

- 1.75" RGB COMPRESSION DRIVER
- TRANSPARENT POLYCARBONATE HORN
- RGB LED BUILT IN HORN
- 1 METER RGB LED INPUT WIRE
- 21 Oz Y35 FERRITE MAGNET
- 1.75" HIGH TEMPERATURE KAPTON VOICE COIL
- 350 WATTS RMS POWER
- 700 WATTS MAX POWER
- IMPEDANCE 4 OHMS
- SENSITIVITY 101 dB
- FREQUENCY RESPONSE 1KHz-20KHz
- 18 dB CROSSOVER WITH POLYSWITCH INCLUDED
- 304 STAINLESS SCREW INCLUDED

SPL vs. FREQ



PRO-DKHCL

1.75" RGB COMPRESSION DRIVER

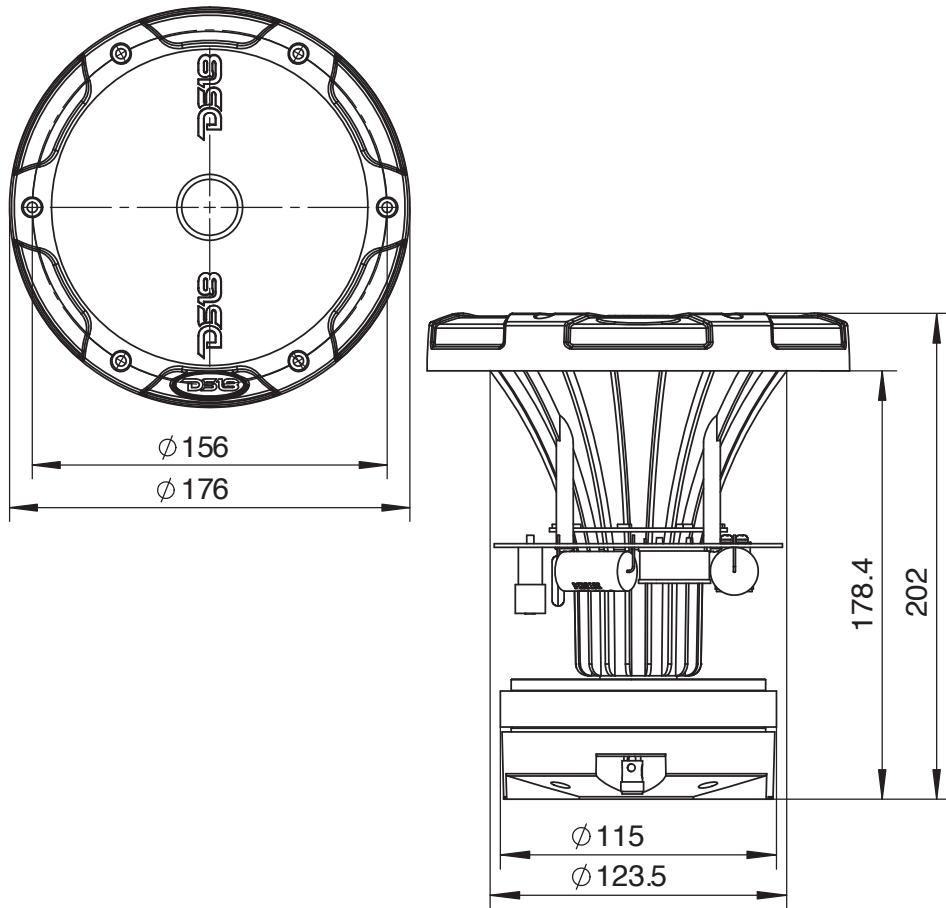
OWNER'S MANUAL



#WeLikeItLoud

PRO-IDKHCL

1.75" RGB COMPRESSION DRIVER



WE LIKE IT LOUD

Data Sheet

Specifications

Nominal Diameter	176 mm
Nominal Impedance	4 Ohms
RMS Power Handling	350 Watts
Maximum Power Handling	700 Watts
Sensitivity (1w/1m)	101 dB
Frequency Response	1KHz-20KHz
Recommended Hi Pass Crossover	3000 Hz
Voice Coil Diameter	44.4mm (1.75")
Voice Coil Former Material	Titanium
Winding Material	CCAW
Frame Material	Transparent Polycarbonate
Magnet Weight	Ferrite 21 Oz

Measurements

Overall Diameter	176mm (6.93")
Front Mount Baffle Cutout	123.5mm (4.86")
Mounting Depth	178.4mm (7")
Overall Depth	202mm (7.95")
Net Weight	2 Kg
Throat Diameter	1"

Shipping Info

Gross Single Unit Weight	2.5 Kg
Single Unit Box Dimensions W x L x H	20.8 x 20.8 x 23.4 cm
Quantity of Units in Master Carton	8 Pieces
Gross Master Carton Weight	20 Kg
Master Carton Dimensions W x L x H	44 x 44 x 53 cm

PRO-IDKHCL 1.75" RGB COMPRESSION DRIVER

#WeLikeItLoud    