



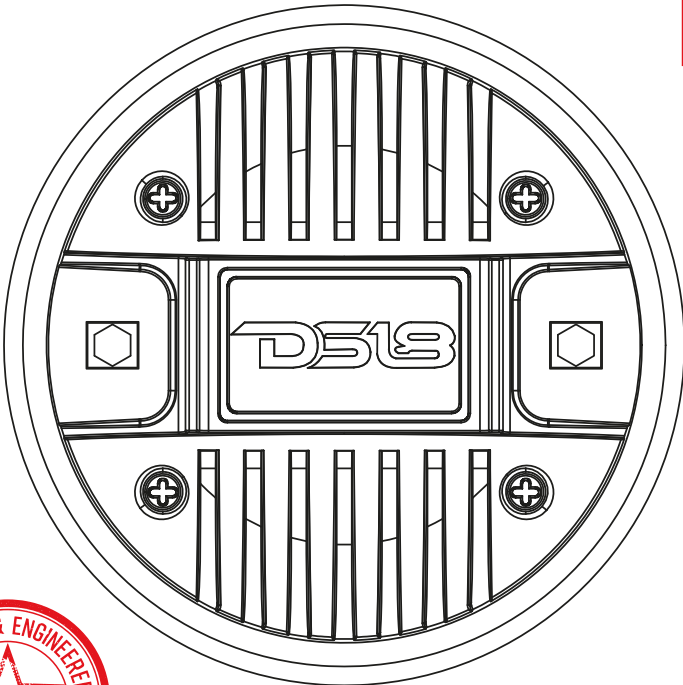
DS18[®]

OWNER'S MANUAL
MANUAL DEL USUARIO

PRO-D2X

**3" TITANIUM VOICE COIL BOLT-ON
COMPRESSION DRIVER WITH SPACER**

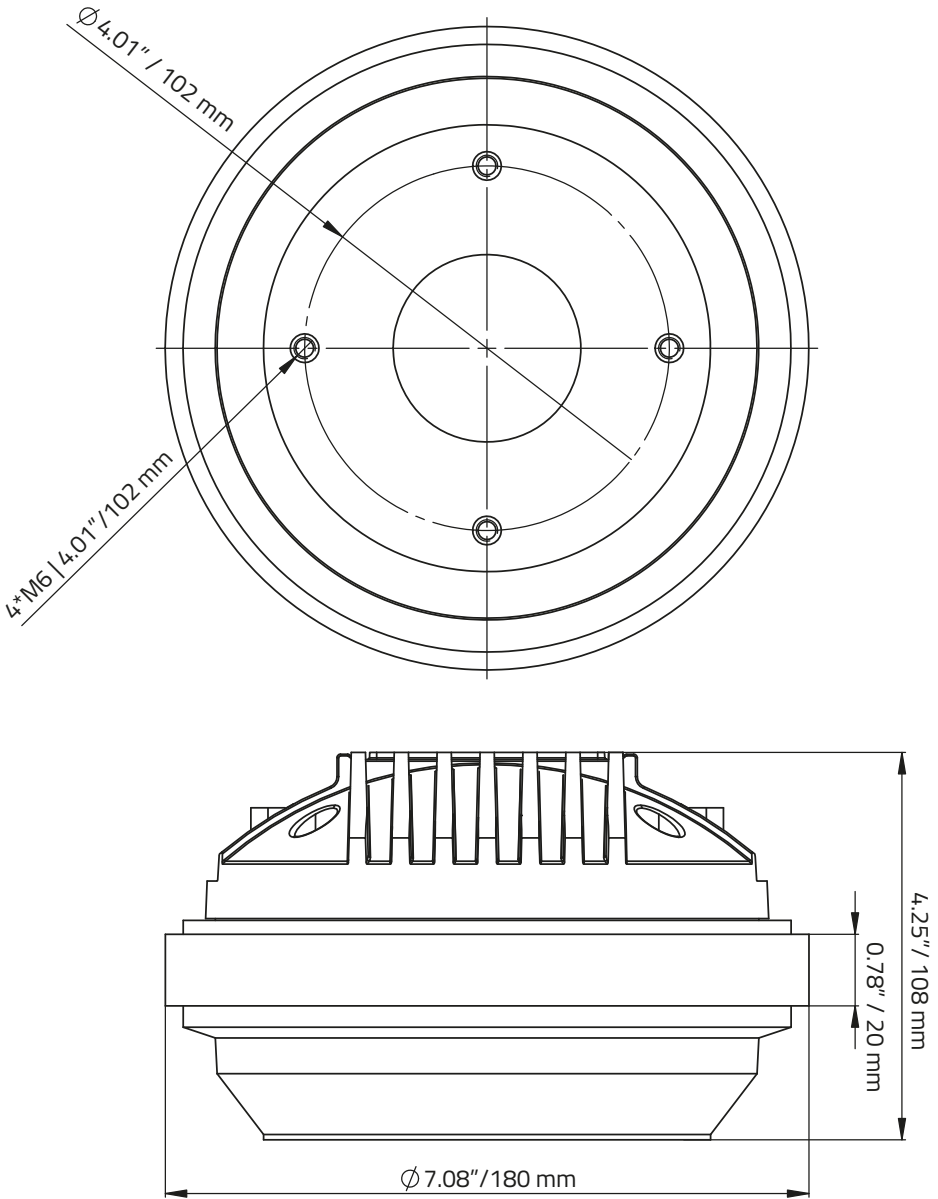
*DRIVER DE COMPRESIÓN CON ESPACIADOR PARA
ATORNILLAR CON BOBINA DE TITANIO DE 3"*



ENGLISH | ESPAÑOL



PRO-D2X



WE LIKE IT LOUD



SPECIFICATIONS / ESPECIFICACIONES:

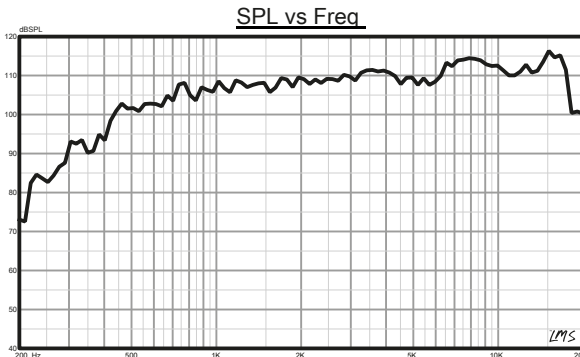
Throat Diameter / *Diámetro de la Boca* **2" / 50.8mm**
Installation Type / *Tipo de Instalación* **Bolt-on / Para Atornillar**
Nominal Impedance / *Impedancia Nominal*..... **8 OHMS**
AES Power Handling / *Manejo de Potencia AES* **250W**
Program Power Handling / *Manejo de Potencia del Programa*..... **500W**
Peak Power Handling / *Manejo de Potencia Máxima*..... **1000W**
Sensitivity (1w/1m) / *Sensibilidad (1w / 1m)*..... **110 dB**
Frequency Response / *Frecuencia de Respuesta* **600Hz-18KHz**
Recommended Hi Pass Crossover / *Corte Paso Alto Recomendado*..... **900 Hz**

MOTOR / MOTOR:

Voice Coil Diameter / *Diámetro de la Bobina de Voz* **3" / 76.2mm**
Voice Coil Former Material / *Material Interior de Bobina Móvil* **Kapton**
Winding Material / *Material de Bobinado* **Aluminum / Aluminio**
Diaphragm Material / *Material del Diafragma*..... **Titanium / Titanio**
Magnet Material / *Material del Imán*..... **Ferrite / Ferrita**
Magnet Weight / *Peso del Imán*..... **75 Oz**
Body Material / *Material del Cuerpo*..... **Aluminum / Aluminio**
Color / *Finish*..... **Black | Machined / Negro | Mecanizado**

MEASUREMENTS / MEDIDAS:

Overall Diameter / *Diámetro Total* **7.08" / 180 mm**
Overall Depth / *Profundidad Total* **4.25" / 108 mm**
Bolt Pattern | Type / *Patrón de Tornillos | Tipo*..... **4* M6 | 4.01" / 102 mm**





FOR MORE INFORMATION
PLEASE VISIT
DS18.COM

WE LIKE IT LOUD

The DS18 logo, consisting of the letters "DS18" in a bold, stylized, red font. The "D" and "S" are connected, and the "18" is separate. A registered trademark symbol (®) is located to the upper right of the "8".

DS18[®]