

# DS18<sup>®</sup>

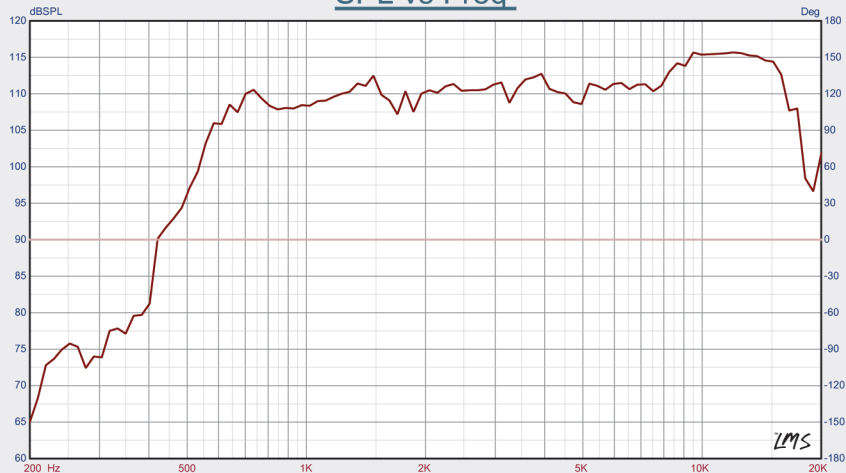
## PRO

# PRO-D1

TITANIUM COMPRESSION DRIVER

Peak Power Handling: 640 Watts  
Program Power Handling: 320 Watts  
AES Rated Power: 160 Watts  
Sensitivity (1w/1m): 100dB  
Frequency Response: 630Hz-20KHz  
Nominal Impedance: 8 ohm  
Throat Diameter: 2"  
Recommended Hi Pass Crossover: 800Hz  
Voice Coil Diameter: 2.03"  
Diaphragm Material: Titanium  
Magnet Material: Ferrite  
Magnet Weight: 35 oz  
Bolt Type: Bolt-on

SPL vs Freq



# DS18<sup>®</sup>

## PRO

# PRO-D1

2.03" VC  
TITANIUM COMPRESSION  
DRIVER

640W  
Peak Power

320W  
Program Power

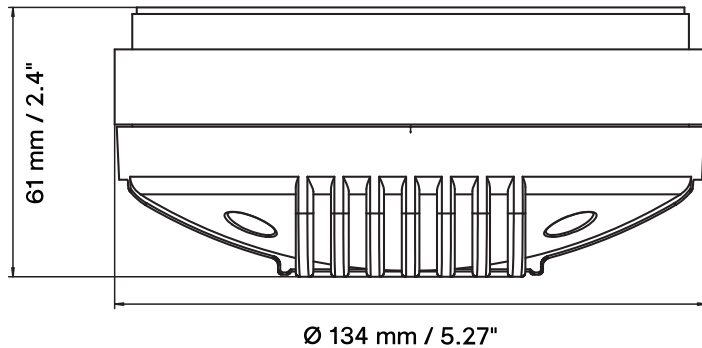
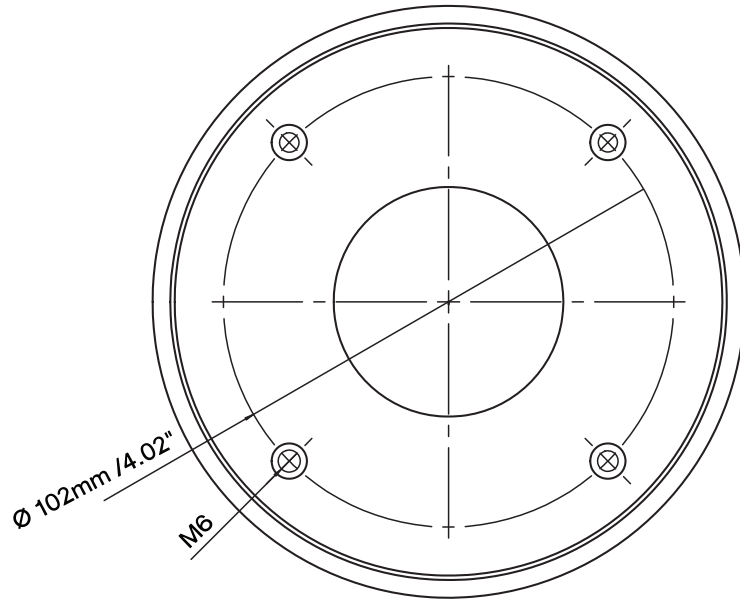
8 OHMS



OWNER'S  
MANUAL

# PRO-ID1

TITANIUM COMPRESSION DRIVER



[www.ds18.com](http://www.ds18.com)



## Data Sheet

2.03" VOICE COIL  
TITANIUM COMPRESSION DRIVER

Throat Diameter	2" / 50 mm
Installation Type	Bolt-on
Nominal Impedance	8 ohms
Peak Power Handling	640W
Program Power Handling	320W
AES Power	160W
Sensitivity (1w/1m)	100 dB
Frequency Response	630Hz-20KHz
Recommended Hi Pass Crossover	800 Hz

### Motor:

Voice Coil Diameter	2.03"
Voice Coil Former Material	Kapton
Winding Material	CCA
Diaphragm Material	Titanium
Magnet Material	Ferrite
Magnet Weight	35 oz

### Measurements:

Overall Diameter	5.27"/134 mm
Overall Depth	2.4"/61 mm

### Shipping Info:

Gross Single Unit Weight	2.75 Kg
Single Unit Box Dimensions W x L x H	145x140x75 (mm)
Quantity of Units in Master Carton	6 pcs
Gross Master Carton Weight	15.5 Kg
Master Carton Dimensions W x L x H	450x320x900 (mm)

PRO-ID1

#WeLikeItLoud

