

DS18[®]
PRO



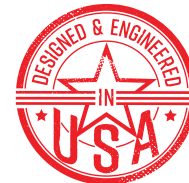
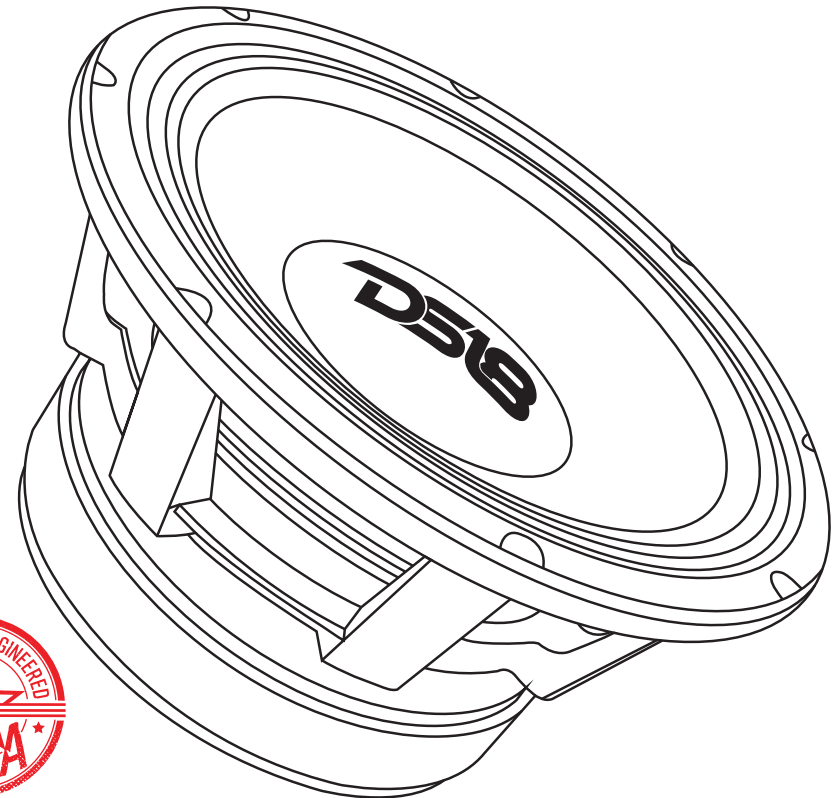
FOR MORE INFORMATION
PLEASE VISIT
DS18.COM

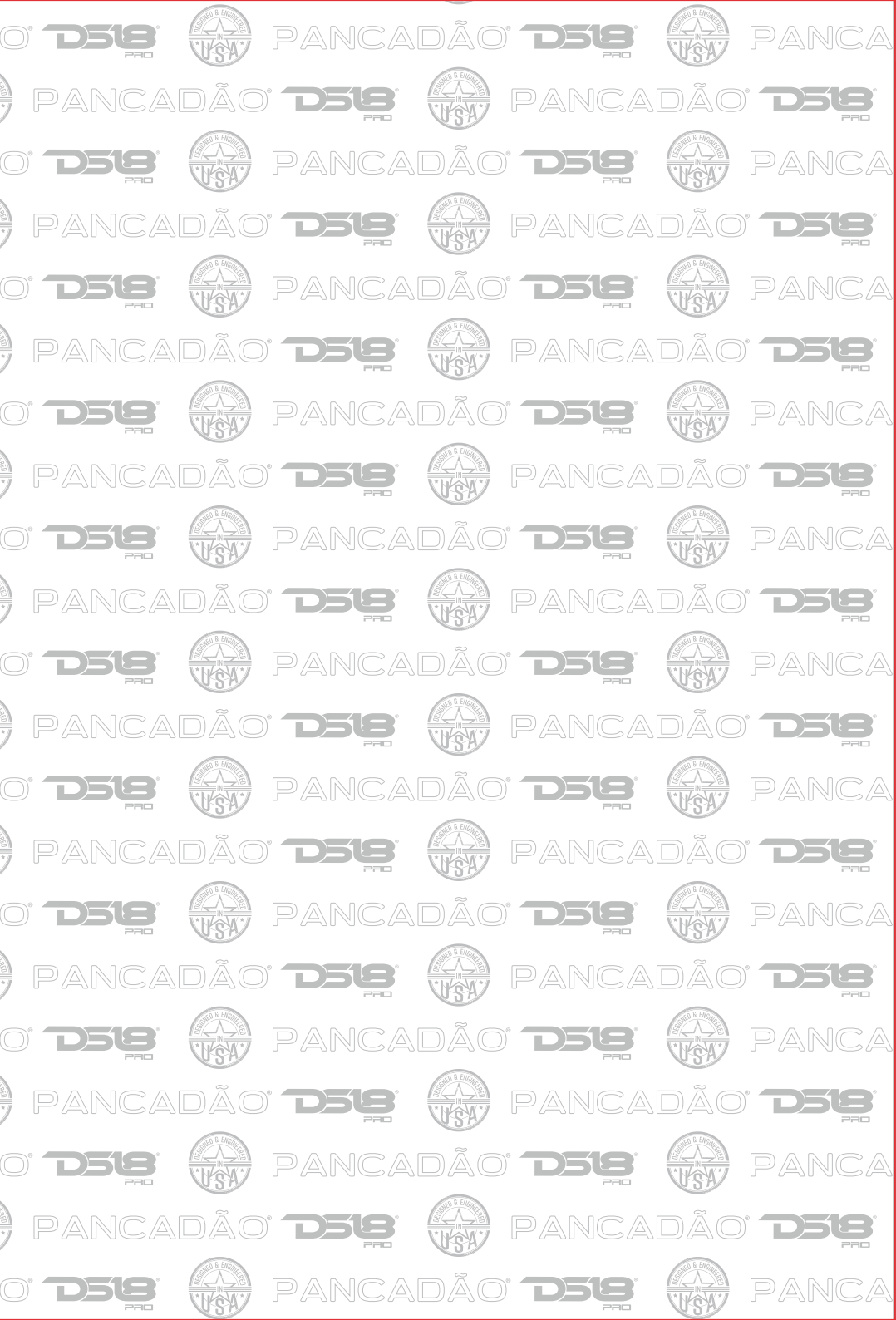
WE LIKE IT LOUD

DS18[®]
PRO

OWNER'S MANUAL
PRO-3KP12.4
12" COMPETITION MID-BASS / WOOFER
LOUDSPEAKER - 4 OHMS

ALTAVOZ TIPO WOOFER / MEDIO BAJO DE
COMPETICIÓN DE 12 PULGADAS Y BOBINA DE 4 OHM





SPECIFICATIONS / ESPECIFICACIONES:

| | |
|---|-----------------|
| Nominal Diameter / <i>Diámetro Nominal</i> | 12" |
| Nominal Impedance / <i>Impedancia Nominal</i> | 4 ohms |
| RMS Power Handling / <i>Manejo de Potencia RMS</i> | 3000W |
| MAX Power Handling / <i>Manejo de Potencia MAX</i> | 4500W |
| Sensitivity (1w/1m) / <i>Sensibilidad (1w/1m)</i> | 95.8dB |
| Frequency Response / <i>Respuesta de Frecuencia</i> | 60Hz-9KHz |
| Recommended Hi Pass Crossover / <i>Crossover de Paso Alto Recomendado</i> | 70 Hz |
| Pair or Single / <i>Par o Unidad</i> | Single / Unidad |
| Grill Included / <i>Grill incluido</i> | No |

MOTOR / MOTOR

| | |
|--|--------------------------------------|
| Voice Coil Diameter / <i>Diámetro de la Bobina de Voz</i> | 4" |
| Voice Coil Former Material / <i>Material Interior de Bobina Móvil</i> | Fiber Glass / <i>Fibra de Vidrio</i> |
| Winding Material / <i>Material de Bobinado</i> | CCAW |
| Cone Material / <i>Material del Cono</i> | Paper / <i>Papel</i> |
| Dust Cap Material / <i>Material de la Tapa Antipolvo</i> | Paper / <i>Papel</i> |
| Surround Material / <i>Material de la Suspensión</i> | Cloth / <i>Tela</i> |
| Basket Material / <i>Material de la Canasta</i> | Aluminum / <i>Aluminio</i> |
| Basket Color/Finish / <i>Color/Acabado de Canasta</i> | Black / <i>Negro</i> |
| Magnet Material / <i>Material del Imán</i> | Ferrite / <i>Ferrita</i> |
| Magnet Weight / <i>Peso del Imán</i> | 250 oz |

THIELE & SMALL PARAMETERS/ PARÁMETROS T/S:

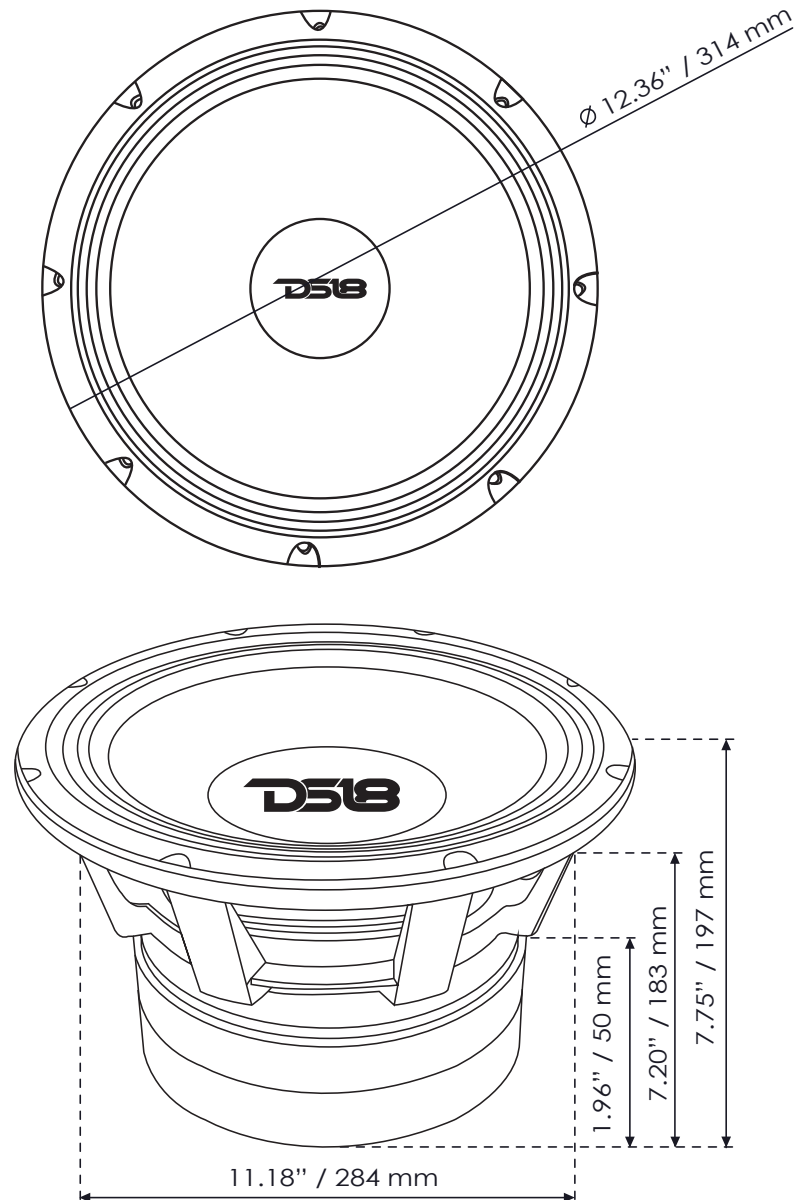
| | | |
|--|------------|------------------------|
| Equivalent Volume / <i>Volumen equivalente</i> | Vas | 22.019L |
| Excursion (one way) / <i>Excursión (una vía)</i> | Xmax | 7 mm |
| Free Air Resonance / <i>Resonancia al Aire Libre</i> | Fs | 67.8 Hz |
| Mechanical Factor / <i>Factor Mecánico</i> | Qms | 10.511 |
| Electrical Factor / <i>Factor Eléctrico</i> | Qes | 0.282 |
| Total Factor / <i>Factor Total</i> | Qts | 0.274 |
| Mechanical Mass / <i>Masa Mecánico</i> | Mms | 111.492g |
| Mechanical Compliance / <i>Cumplimiento Mecánico</i> | Cms..... | 49.31 mm/N |
| BL Factor / <i>Factor BL</i> | BL | 21.73 |
| Voice Coil Inductance / <i>Inductancia de Bobina de Voz</i> | Le | 0.77MH |
| Cone Area / <i>Área del Cono</i> | Sd..... | 560.75 cm ² |
| CD Resistance / <i>Resistencia DC</i> | Re | 2.8 ohm |
| Efficiency Bandwidth Product / <i>Eficiencia del Ancho de Banda del Producto</i> | EBP..... | 240 |

MEASUREMENTS / MEDICIONES

| | |
|--|-----------------|
| Overall Diameter / <i>Diámetro Total</i> | 12.36" / 314 mm |
| Overall Depth / <i>Profundidad Total</i> | 7.75" / 197 mm |
| Front Mount Baffle Cutout / <i>Corte del Orificio de Montaje</i> | 11.18" / 284 mm |
| Mounting Depth / <i>Profundidad de Montaje</i> | 7.2" / 183 mm |
| Motor Diameter / <i>Diámetro del Motor</i> | 8.66" / 220 mm |

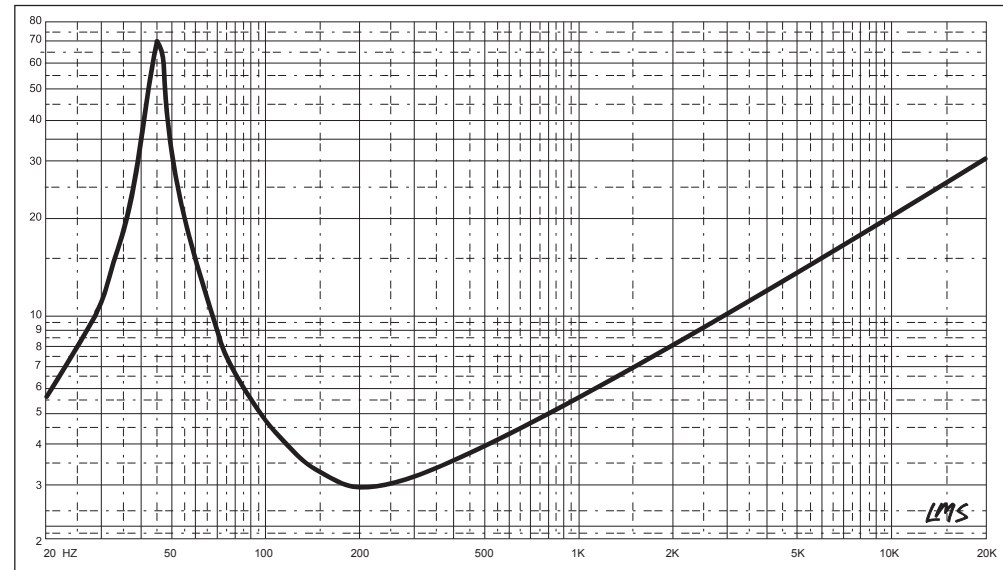
PRO-3KPI2.4

PRO-3KP12.4 PANCADÃO®



PRO-3KP12.4 PANCADÃO®

Impedance vs Freq



RECOMMENDED BOX:

| Model (Boxes) | Internal Volume Liters (L) | Box Dimensions (inches / millimeters) | | Port Dimensions | Fb (Hz) | HPF (Hz) |
|------------------------|-------------------------------|--|-----------------|--------------------|------------|----------|
| | | A | B | C | Box Tuning | ↕ |
| PRO-3KP12.4 Box I | 40 | 11.81" / 300 mm | 13.22" / 336 mm | 6.69" / 170 mm | 110 | 80 |
| PRO-3KP12.4 Box II | 45 | 13.38" / 340 mm | 14.8" / 376 mm | 7.08" / 180 mm | 100 | 80 |
| PRO-3KP12.4 Box III | 50 | 14.96" / 380 mm | 16.37" / 416 mm | 8.26" / 210 mm | 90 | 75 |

Wood: 3/4" / 18 mm

RECOMMENDED BOX DIMENSIONS:

