

DS18[®]

PRO

OWNER'S MANUAL



PANCADÃO[®]
3000W MAX

PRO-1.5KP12.8

12" MID BASS
8 OHMS

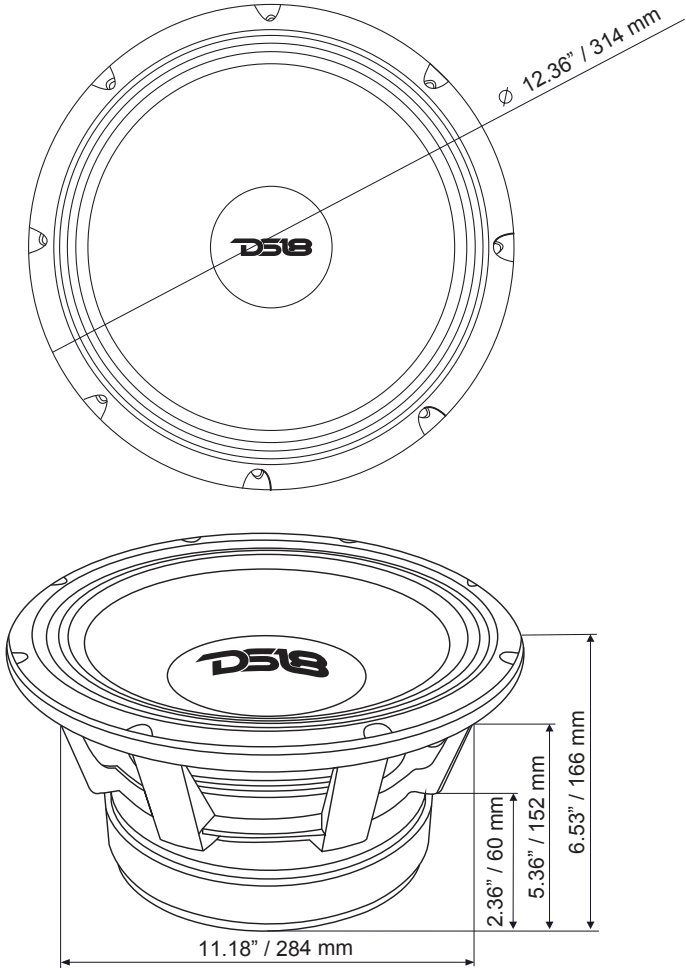


#WeLikeItLoud
f @ e v

DS18[®]
PRO

PRO-1.5KP12.8
12" MID BASS

PANCAADÃO[®]



#WeLikeItLoud





PRO-1.5KP12.8 12" MID BASS

SPECIFICATIONS:

Nominal Diameter	12"
Nominal Impedance	8 ohms
RMS Power Handling	1500 W
MAX Power Handling	3000 W
Sensitivity (1w/1m)	95 dB
Frequency Response	60Hz-8kHz
Recommended Hi Pass Crossover	70 Hz

MOTOR

Voice Coil Diameter.....	4"
Voice Coil Former Material	Fiber Glass
Winding Material	CCAW
Cone Material	Paper
Dust Cap Material.....	Paper
Surround Material.....	Cloth
Basket Material	Aluminum
Magnet Material.....	Ferrite
Magnet Weight	150 Oz

THIELE & SMALL PARAMETERS

Equivalent Volume.....	Vas	19.9 L
Free Air Resonance	Fs	73.5 Hz
Mechanical Factor.....	Qms	10.02
Electrical Factor.....	Qes	0.383
Total Factor.....	Qts	0.369
Dc Resistance	Re	5.6 OHMS
Force Factor	Bl	26.65
Moving Mass	Mms	105.1
Compliance	Cms.....	44.57 mm/N
Voice Coil Inductance	Le	1.057MH
Diaphragm Area	Sd.....	560 cm/2
Efficiency Bandwidth Product.....	EBP.....	191.9

MEASUREMENTS

Overall Diameter	12.36" / 314 mm
Overall Depth	6.53" / 166 mm
Front Mount Baffle Cutout	11.18" / 284 mm
Mounting Depth	5.36" / 152 mm
Motor Diameter.....	8.66" / 220 mm



PRO-1.5KP12.8

12" MID BASS

- Nominal Impedance: 8 ohms
- RMS Power Handling: 1500 Watts
- MAX Power Handling: 3000 Watts
- Sensitivity (1w/1m): 95 dB
- Frequency Response: 60Hz - 8kHz
- Voice Coil Diameter: 4"
- Basket Material: Aluminum
- Magnet Weight: 150 Oz

SPL vs Freq

