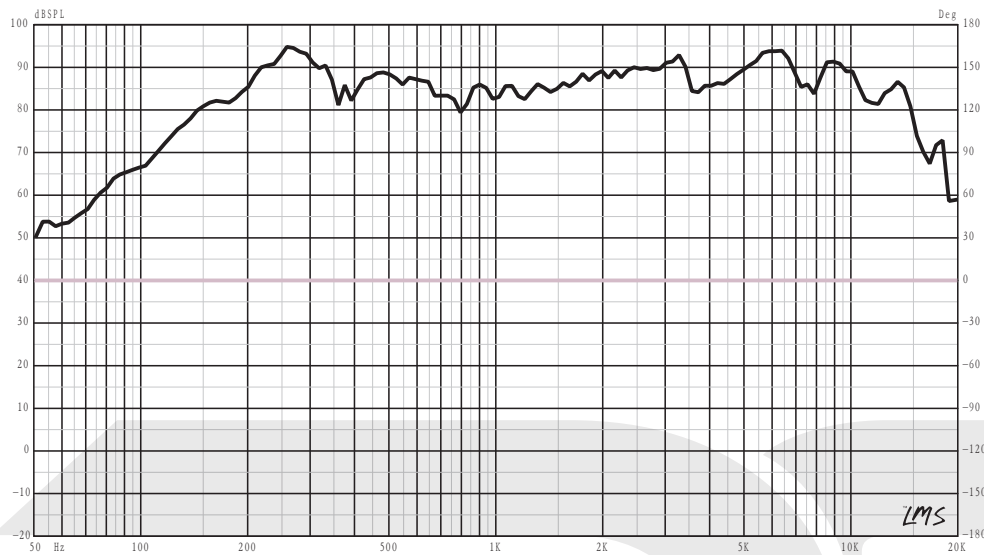


PRO-X4M

4" MIDRANGE LOUDSPEAKER
RED COLOR STEEL BASKET
9 OZ HIGH STRENGTH FERRITE MAGNET
1.0" HIGH TEMPERATURE KCCA W VOICE COIL
CLOTH EDGE AND NON-PRESSED PAPER CONE
100 WATTS RMS POWER
200 WATTS MAX POWER
IMPEDANCE 8 OHMS
SENSITIVITY 85.7 DB
FREQUENCY RESPONSE 298 - 14.2KHZ

SPL vs Freq



WE LIKE IT LOUD
WWW.DS18.COM



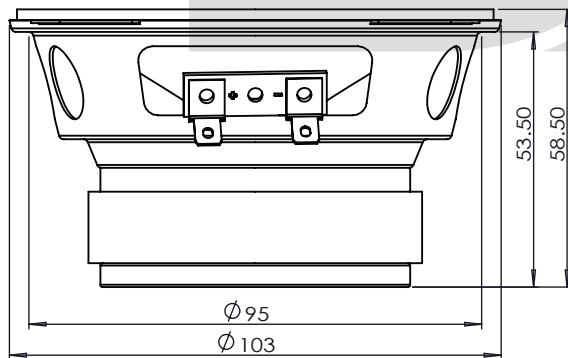
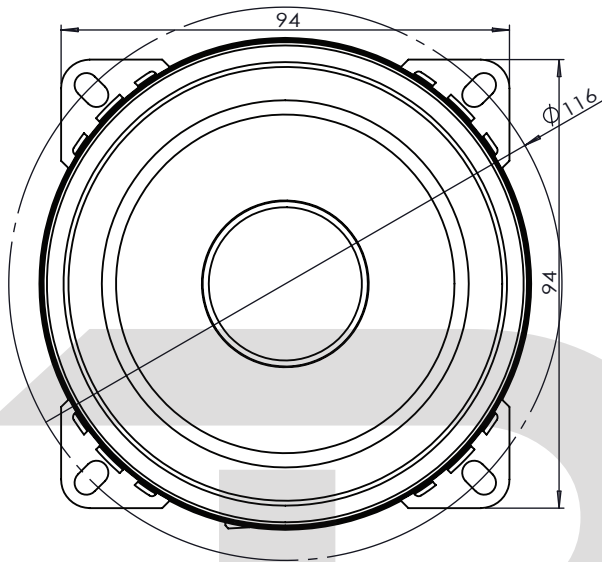
OWNER'S MANUAL

PRO - X4M
4" MIDRANGE LOUDSPEAKER

WE LIKE IT LOUD
WWW.DS18.COM

PRO - X4M

4" MIDRANGE LOUDSPEAKER



#WELIKEITLOUD

WWW.DS18.COM

PRO - X4M

4" MIDRANGE LOUDSPEAKER

Overall Diameter	103mm(4.1inch)
Baffle Cutout Diameter	95mm(3.66inch)
Depth	56mm(2.2inch)
Nominal Impedance	8.0 Ω
Minimum Impedance	5.2 Ω
Rms Power Handling	100W
Maximum Power Handling	200W
Sensitivity (1w/1m)	85.7 dB
Frequency Responde	298 Hz-14.2 KHz
Voice Coil Diameter	25.9mm(1.0inch)
Winding Material	KCCAW
Magnet Weight	Ferrite 9 oz

THIELE & SMALL PARAMETERS

Fs	298 Hz
Re	5.2 Ω
Qes	3.596
Qms	10.078
Qts	2.65
Vas	0.324 Ltr
X-MAX	6.3mm(0.25inch)