

DS18[®]

HYDRO

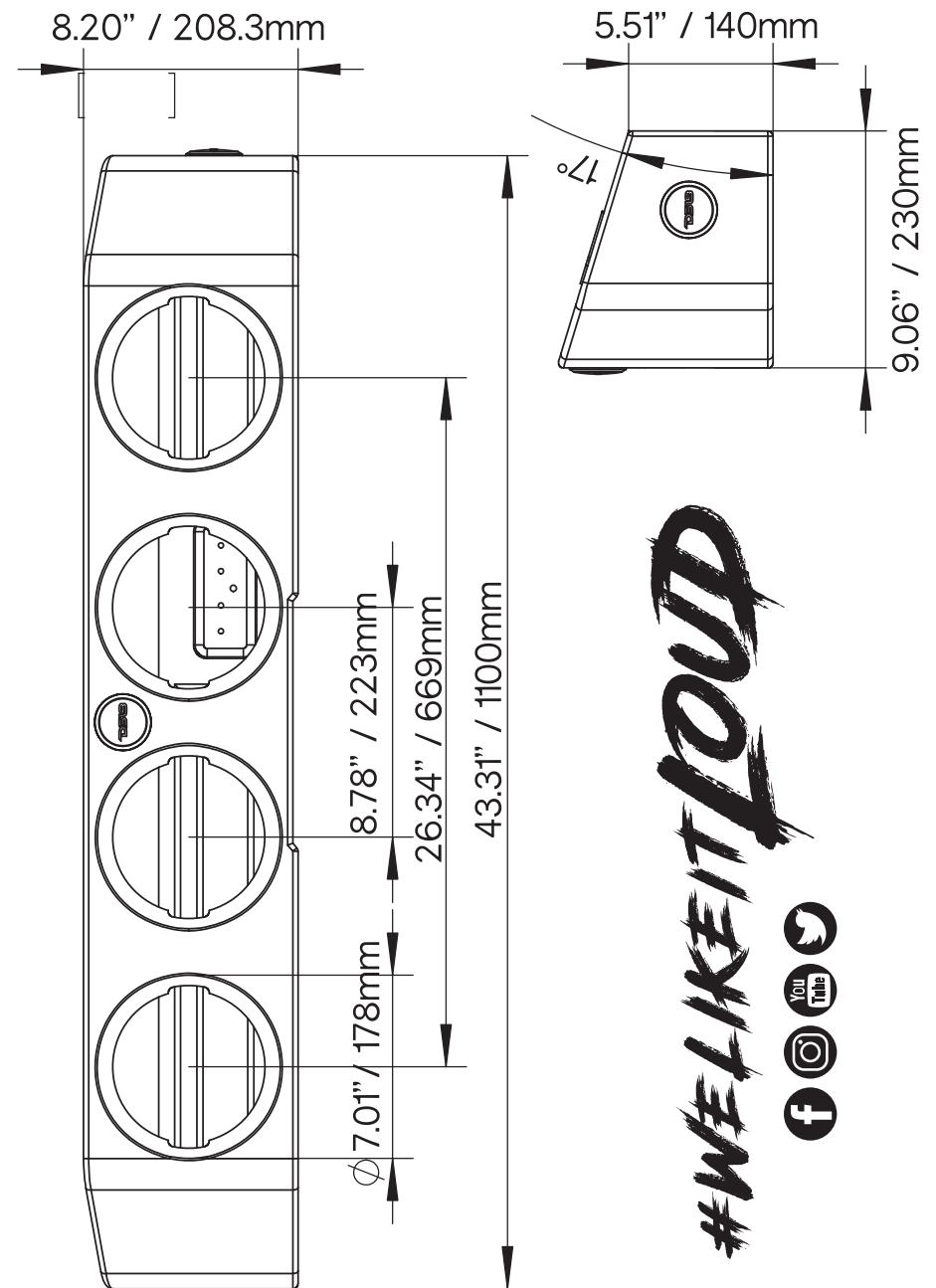
JT-S64

DESIGNED SPECIALLY FOR JEEP GLADIATOR 
UNDERNEATH REAR SEAT

THIS JT-S64 FITS: 4 x 6.5" SUBWOOFERS

- ▶ 6.5" SUBWOOFER MOUNTING (DS18 Z6 OR OTHER 6.5" SUBWOOFER RECOMMENDED)
- ▶ HIGH DENSITY PLASTIC MOLDED WITH COLOR INJECTED
- ▶ UV PROTECTED AND ALL ELEMENTS READY
- ▶ LIGHTWEIGHT & STRONG DURABLE MATERIAL
- ▶ BUILT-IN RGB LED FOR DS18 LOGO BADGE
- ▶ MOUNTING HARDWARE AND WIRES INCLUDED
- ▶ SEALED ENCLOSURE 1.31CUFT/37.5L
- ▶ O.E.M FIT

JT-S64



#WE LIKE IT LOUD



▲▲ FOR ALL ELEMENTS

BUILT-IN RGB FOR DS18 LOGO BADGE

DOWNLOAD THE DS18 LED BTC APP
COMPATIBLE WITH THE DS18 LED-BTC OR ANY OTHER RF/BT/WIFI CONTROLLER FOR MULTI-FUNCTION RGB LED LIGHTING. (SOLD SEPARATELY)