

# DS18<sup>®</sup>

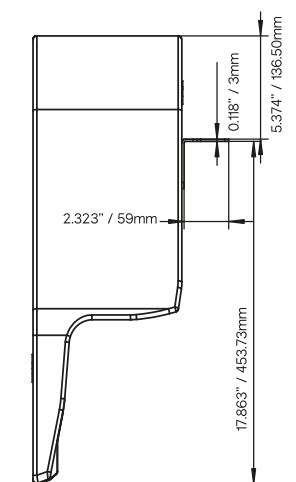
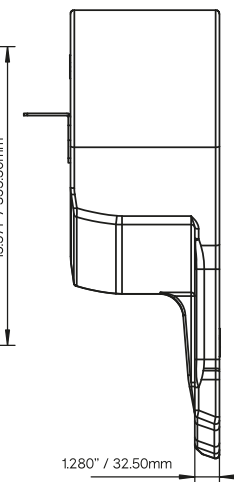
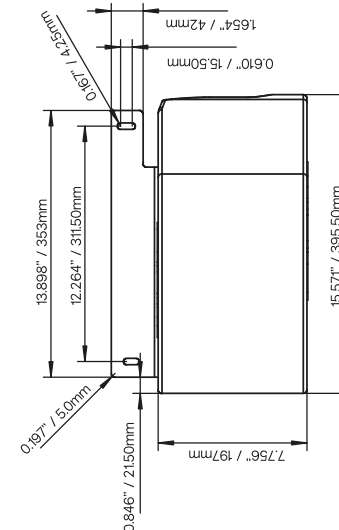
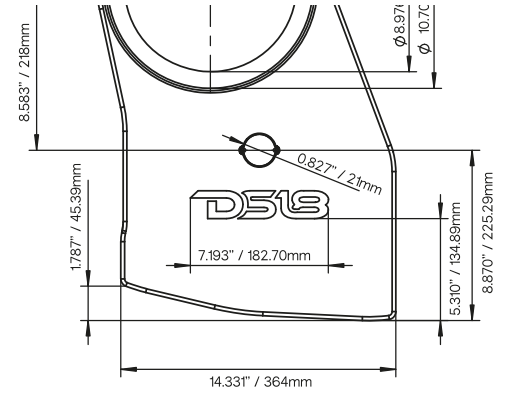
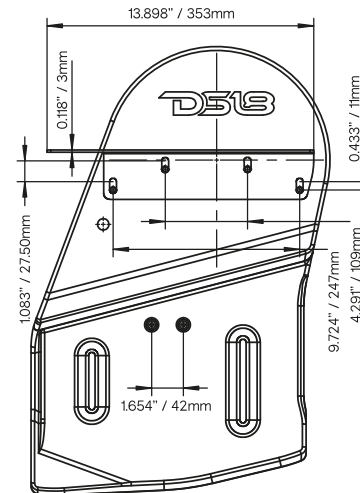
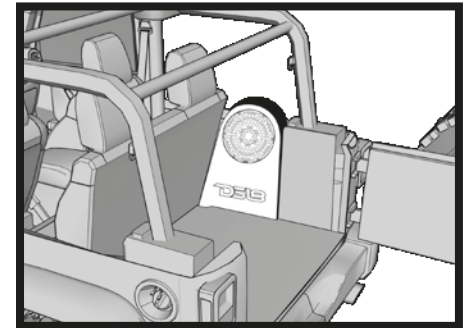
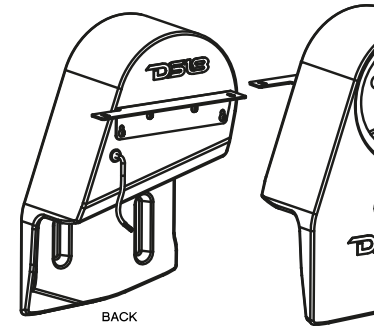
## HYDRO



# JL-SUB10-LR

## LEFT & RIGHT SET SUBWOOFER BOX

- ▶ FITS 10" SUBWOOFER (DS18 CF-10SUB RECOMMENDED) (SUBWOOFER NOT INCLUDED)
- ▶ INJECTED HIGH DENSITY ABS
- ▶ UV PROTECTED AND ALL ELEMENTS READY
- ▶ LIGHTWEIGHT AND STRONG MATERIAL
- ▶ MOUNTING BRACKET AND HARDWARE INCLUDED
- ▶ 1 METER 6 CORE INPUT WIRE (SPEAKER INPUT AND RGB)
- ▶ INTERNAL VOL AREA: 0.5 Ft<sup>3</sup>/14L



JL-SUB10

#WE LIKE IT LOUD



FOR ALL ELEMENTS

BUILT-IN RGB FOR DS18 LOGO BADGE

DOWNLOAD THE DS18 LED BTC APP  
 COMPATIBLE WITH THE DS18 LED-BTC OR ANY OTHER RF/BT/WIFI CONTROLLER FOR MULTI-FUNCTION RGB LED LIGHTING. (SOLD SEPARATELY)