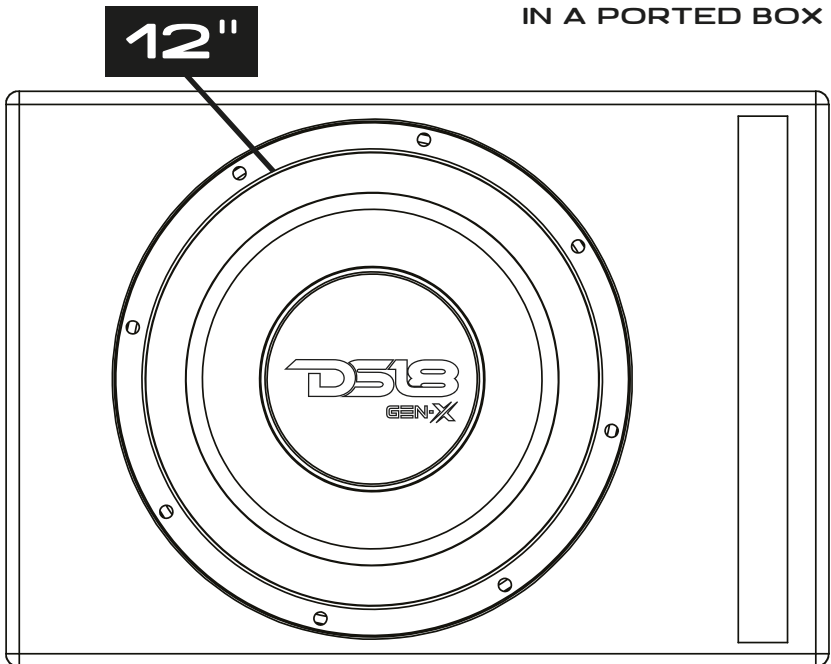


DS18[®]

GEN-X

OWNER'S MANUAL
GEN-X112LD

1x12" SUBWOOFER
IN A PORTED BOX



LOADED SUBWOOFER ENCLOSURE

GEN-X112LD

General

Total Impedance	2 ohm
Total RMS Power Handling	450W
Total MAX Power Handling	900W
Sensitivity (1w/1m)	91dB
Frequency Response	29 - 250Hz
Recommended Lo Pass Crossover	120Hz

Speaker Specifications

1 x 12" GEN-X124D Subwoofer	
Voice Coil Diameter	2"
Voice Coil Former Material	Black Aluminum
Winding Material	SV
Cone Material	Paper & Fiber Glass
Dust Cap Material	PPI
Surround Material	Foam
Basket Material	Steel
Magnet Material	Ferrite
Magnet Weight	70 Oz

Box Specifications

Internal Volume	45.3L
Port Tune	Fb. 35Hz
Load Configuration	Parallel
Box Type	Front Ported
Box Material	1/2" MDF
Finish Material	Vinyl
-3dB Dropping Point	F3. 29Hz

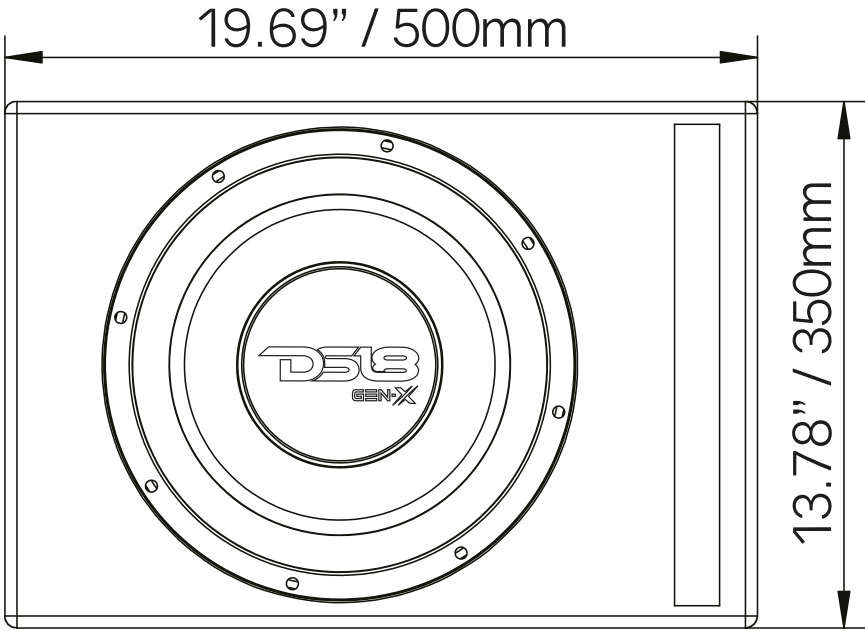
Measurement

Height	13.78" / 350mm
Width	19.68" / 500mm
Depth 1	11" / 280mm
Depth 2	14" / 356mm

DIMENSIONS

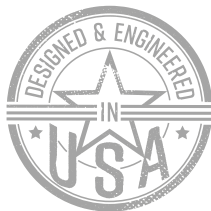
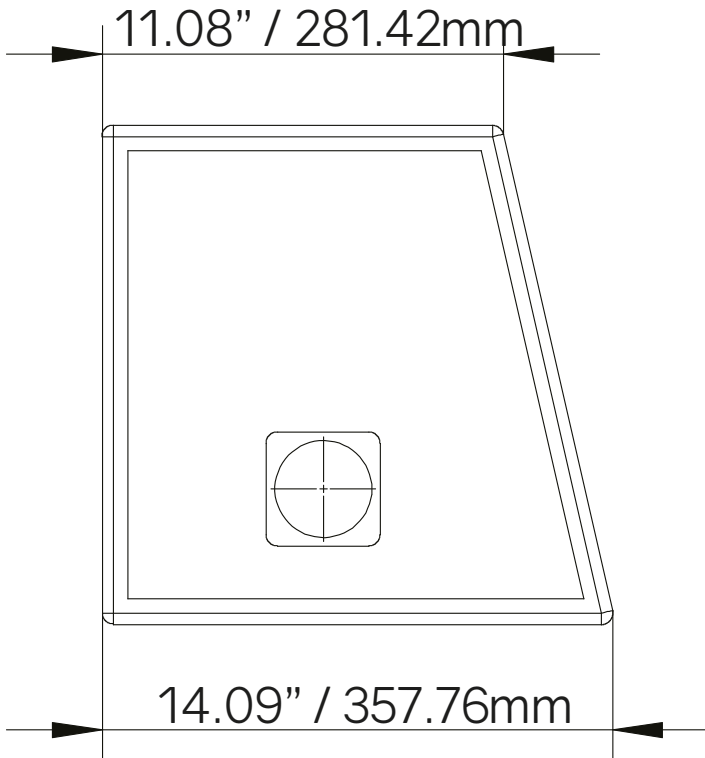
GEN-X112LD

LOADED SUBWOOFER ENCLOSURE



WE LIKE
IT LOUD





Professional installation by an authorized DS18 dealer is highly recommended! Otherwise, the performance of your new gear may not be satisfactory. In the event that you decide to do your own installation, please read and follow this manual carefully. Failure to do so may compromise the integrity of this product, your automobile, and possibly void the product warranty.

Use this Subwoofer Box with an external Monoblock subwoofer amplifier that can handle 2 ohm load impedance and a maximum of 450W RMS continuous power, otherwise the amplifier or the Subwoofer can get damaged. In case that you need to install an amplifier please refer to the amplifier's instruction manual to perform the installation of the amplifier before the use this Subwoofer Box.

Do Not Connect this directly to the factory radio or aftermarket radio speaker output. This will not be enough power for the subwoofers and could be bad for the radio's amplifier if is not 2 ohm stable.

Secure the subwoofer box with a strap or bracket to screw it down in case this box is loose on your trunk or a SUV cargo area to avoid this moving around

which will damage the Subwoofer or box itself. In case of accelerating or hard braking this will reduce the possibility of movement! Major injuries may occur in case of an accident if this is not secured properly.

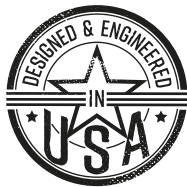
If you already have installed the amplifier, then follow these simple steps:

1 Connect the subwoofer box to the amplifier using a minimum 12Ga speaker wire and make sure the polarity (+) and (-) is correct, otherwise the sound will be affected.

2 You are now ready to play it for the first time. It is best to leave the gain all the way down in the beginning. Start with a low volume and work your way up.

3 Now you can tune the amp. We recommend using the Low Pass Filter at 120Hz or lower depending on your system. Take your time and make only one adjustment at a time. It may take some time to get the system fully adjusted. During this time the amp is drawing current from the battery. You should check the battery voltage from time to time and re-charge it if it gets low. That's it! You are done.

Now have fun!!



FOR MORE INFORMATION
PLEASE VISIT
DS18.COM

WE LIKE IT LOUD



DS18[®]