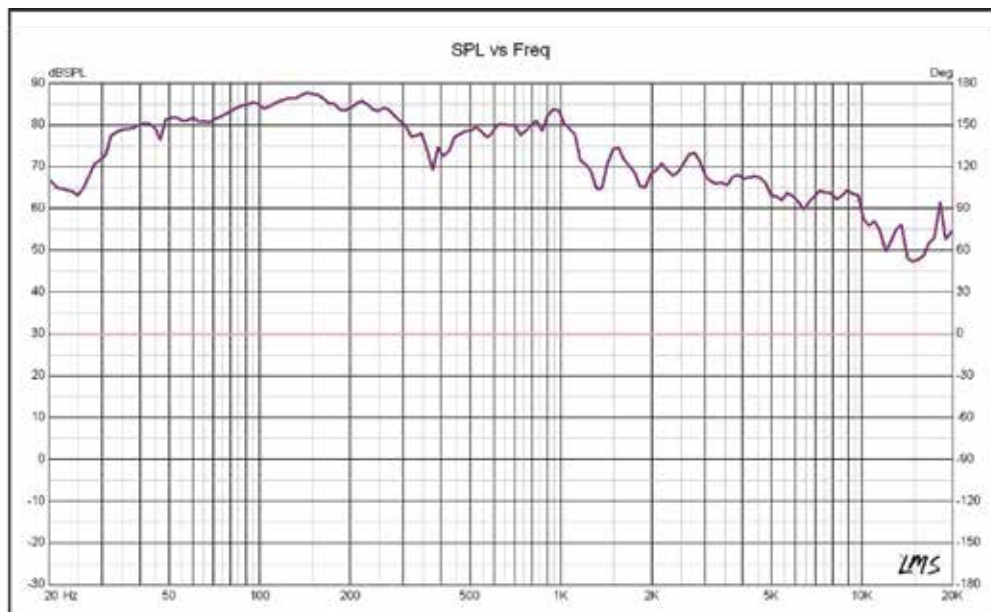




EXL-X8.2D

8" SUBWOOFER
LARGE FOAM EDGE AND PAPER
WITH GLASS FIBER CONE
130 OZ HIGH STRENGTH
DOUBLE FERRITE MAGNET
RED COLOR ALUMINUM BASKET
2.5" BLACK ALUMINUM 4 LAYER VOICE COIL
FREQUENCY RESPONSE 38 - 1.0KHz
2 LAYER CONEX SPIDER
600 WATTS RMS POWER
1200 WATTS MAX POWER
IMPEDANCE 2+2 OHMS
SENSITIVITY 89.11 dB



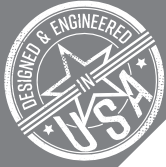
EXL-X8.2D 8" SUBWOOFER DUAL 2 OHMS

OWNER'S MANUAL

#WeLikeItLoud

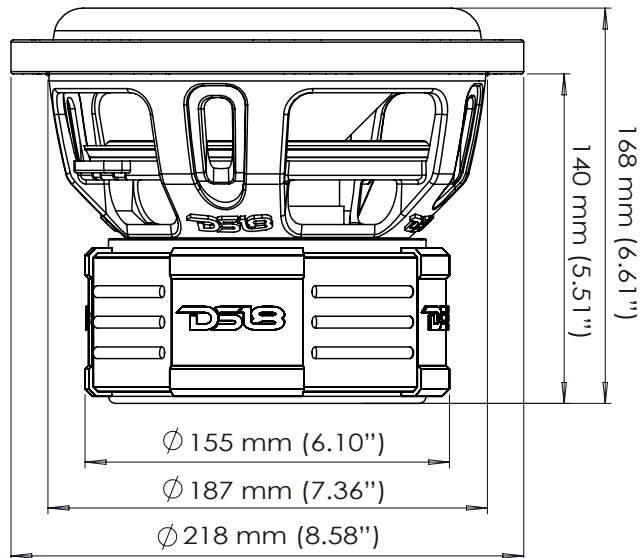
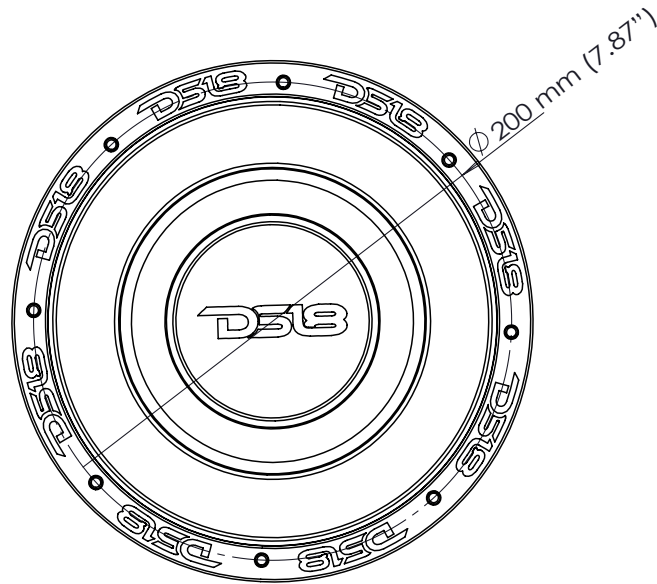


DS18.COM



EXL-X8.2D

8" SUBWOOFER DUAL 2 OHMS



WE LIKE IT LOUD



EXL-X8.2D 8" SUBWOOFER DUAL 2 OHMS

Data Sheet

Specifications:

Nominal Diameter	8 inch
Nominal Impedance	2+2 ohms
RMS Power Handling	600W
Maximum Power Handling.....	1200W
Sensitivity (1w/1m).....	89.11dB
Frequency Response	38-10KHz
Recommended Lo Pass Crossover.....	100Hz
Voice Coil Diameter.....	63.5 mm (2.5 inch)
Voice Coil Former Material	Black Aluminum
Winding Material	SV
Basket Material	Aluminum
Frame Material	Aluminum
Magnet Weight.....	Ferrite 130 OZ

Thiele & Small Parameters:

Equivalent Volume	Vas	2.5L
Excursion	X-max.....	24 mm
Free Air Resonance	Fs.....	70Hz
Mechanical Factor	Qms	6.852
Electrical Factor	Qes	0.987
Total Factor	Qts.....	0.993
Cone Area	Sd	201.06 cm ²
Mechanical Mass	Mms	163.24g
BI Factor	BI	21.4 N/A
Dc Resistance	Re	2.0+2.0 ohms
Inductance	Le.....	11.21mH
Mechanical Mass Without Air	Mmd.....	158.35g
Mechanical Compliance	Cms.....	0.025 mm/N

Measurements

Overall Diameter	218 mm (8.58 inch)
Front Mount Baffle Cutout	187 mm (7.36 inch)
Mounting Depth	140 mm (5.51 inch)
Overall Depth.....	168 mm (6.61 inch)