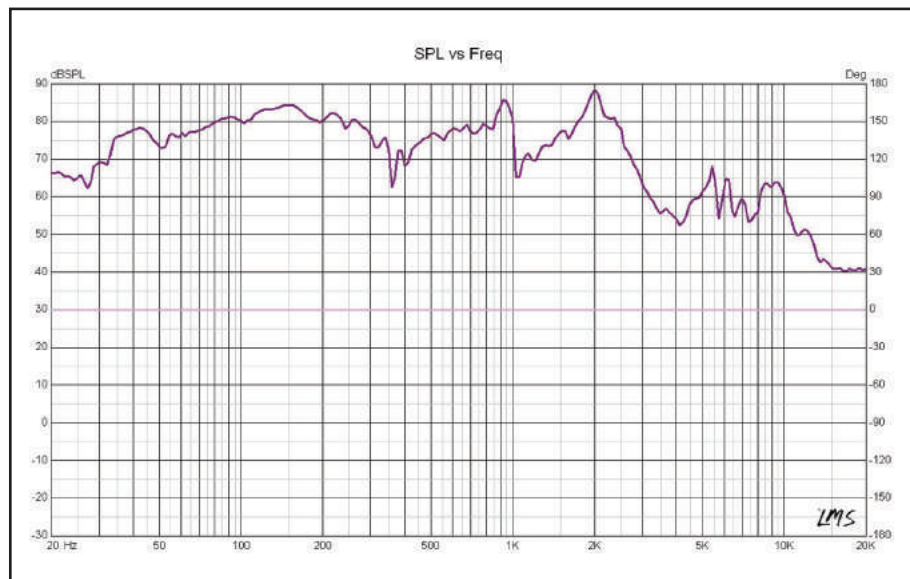


DS18[®]

EXL

EXL-X12.4D

12" SUBWOOFER
RED COLOR ALUMINUM BASKET
2500 WATTS MAX POWER
1250 WATTS RMS POWER
NOMINAL IMPEDANCE: 4+4 OHMS
SENSITIVITY: 88dB
FREQUENCY RESPONSE: 30 - 1.7KHz
2.5" BLACK ALUMINUM
4 LAYER VOICE COIL
2 LAYER CONEX SPIDER
LARGE FOAM EDGE AND PAPER
WITH GLASS FIBER CONE
MAGNET: 210 OZ HIGH STRENGTH
DOUBLE FERRITE



DS18[®]

EXL

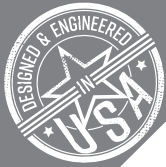
EXL-X12.4D

12" SUBWOOFER DUAL 4 OHMS

4+4
OHMS

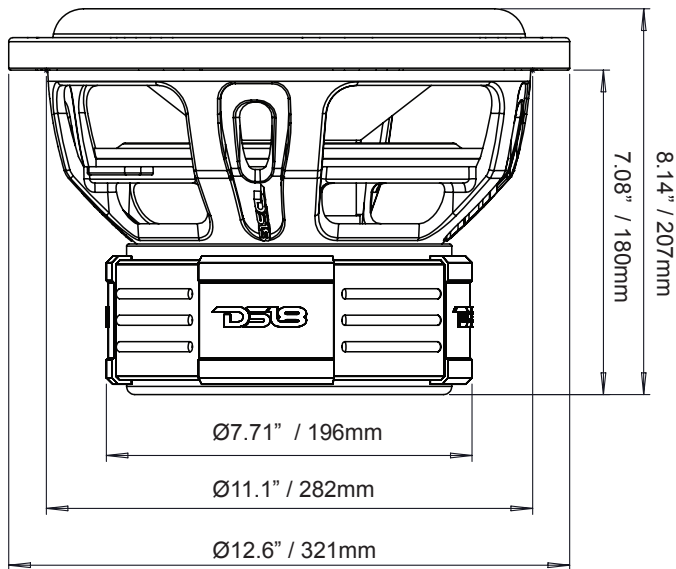
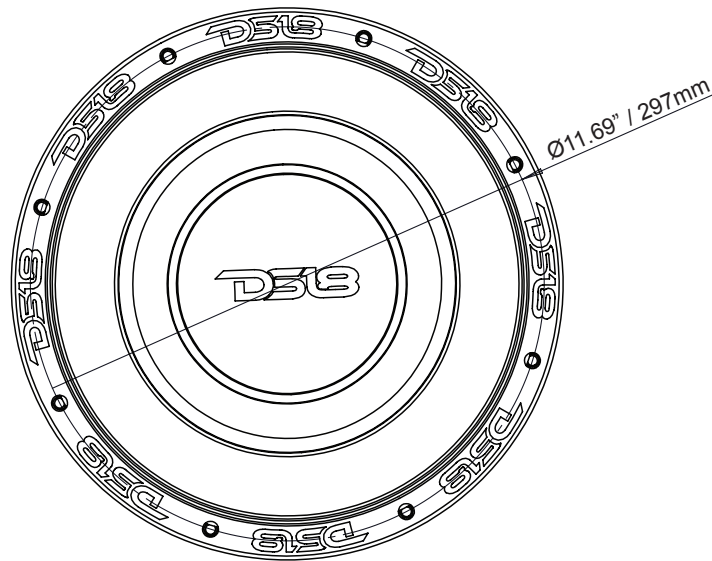


OWNER'S
MANUAL



EXL-X12.4D

12" SUBWOOFER DUAL 4 OHMS



WE LIKE IT LOUD



EXL-X12.4D 12" SUBWOOFER DUAL 4 OHMS

Specifications:

Nominal Diameter	12"
Nominal Impedance	4+4 OHMS
MAX Power Handling	2500W
RMS Power Handling	1250W
Sensitivity (1w/1m)	88 dB
Frequency Response	30-1.7KHz
Recommended Lo Pass Crossover	100 Hz

Motor

Voice Coil Diameter	2.57"/65.5mm
Voice Coil Former Material	Black Aluminum
Winding Material	SV
Cone Material	Paper/ Fiber Glass
Dust Cap Material	PPI
Surround Material	Foam
Basket Material	Aluminum
Magnet Material	Ferrite
Magnet Weight	210 oz
Displacement Volume	0.309 L

Thiele & Small Parameters

Equilvant Volume	Vas	9.08 L
Excursion	Xmax	30 mm
Free Air Resonance	Fs	55.7 Hz
Mechanical Factor	Qms	3.305
Electrical Factor	Qes	0.482
Total Factor	Qts	0.431
Moving Mass	Mms	307.124g
Compliance	Cms	0.025 mm/N
Force Factor	Bl	20.105
Voice Coil Inductance	Le	10.3 mH
Diaphragm Area	Sd	490.87 cm ²
Dc Resistance	Re	3.7 ohm
Efficiency Bandwidth Product	EBP	115.5

Measurements

Overall Diameter	12.6" / 321mm
Overall Depth	8.14" / 207mm
Bolt Pattern	11.69" / 297mm
Front Mount Baffle Cutout	11.1" / 282mm
Mounting Depth	7.08" / 180mm
Motor Diameter	7.71" / 196mm