

The new generation in Decentralised Wastewater Treatment



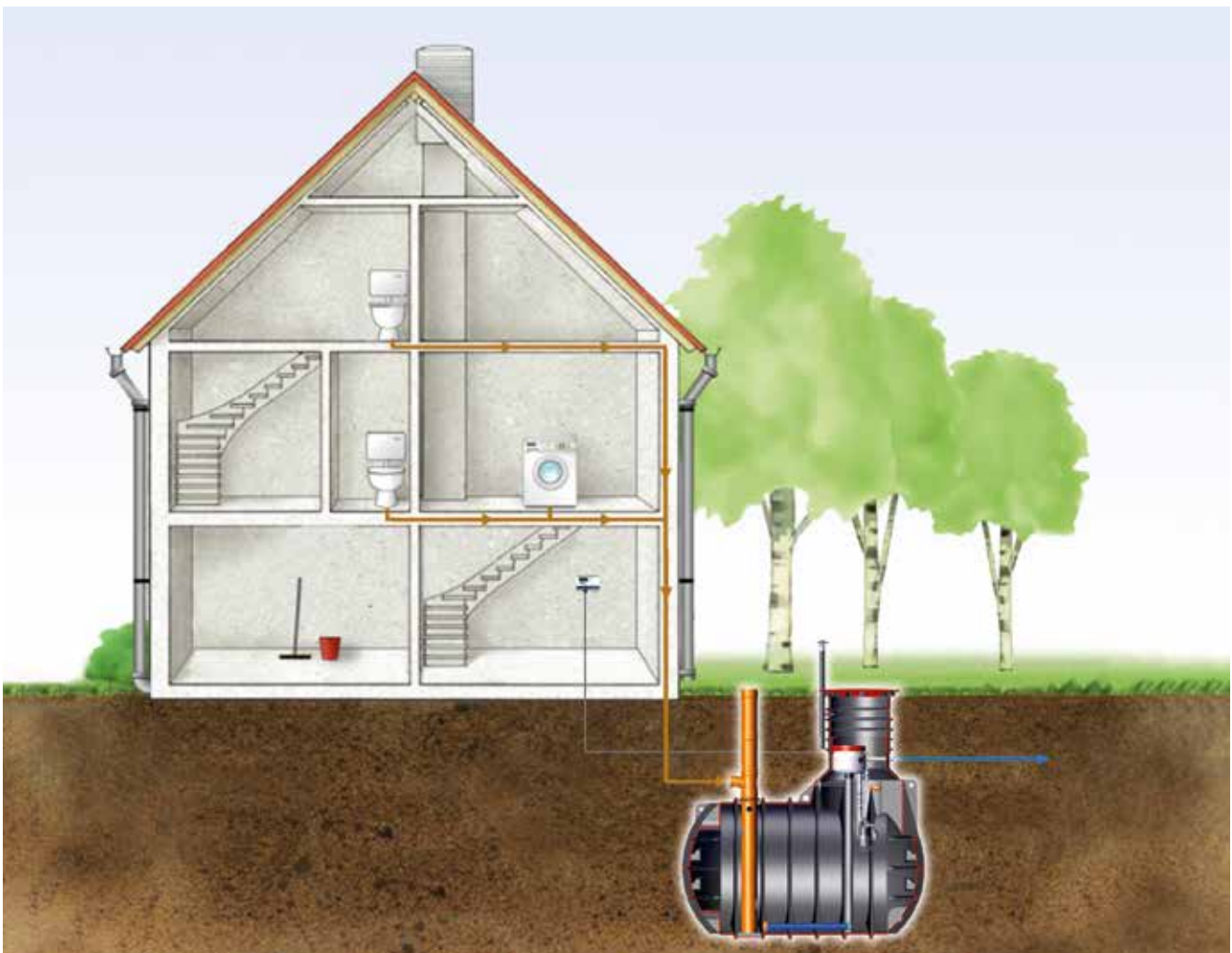
The new generation in Decentralised Wastewater Treatment

The Solido SMART from Premier Tech, is a decentralised wastewater treatment plant and the perfect solution for residential and commercial projects where mains drainage is unavailable.

Serving a population of up to 9 PE and fast becoming the industry's system of choice; this low-profile unit offers a reliable design and low installation costs. Available in gravity and integrated pumped outlet versions. Installed to treat wastewater with minimal impact on the environment, typical applications include single dwellings, small communities.

Superior Technical Performance

The highly successful Solido SMART is designed and tested in accordance with EN12566-3, in compliance with S.R 66:2015. This plant is able to produce a final effluent quality better than 10:20:5 (BOD:SS:NH₃). Removal of total nitrogen and total phosphorus (TN and TP) is expected to reach 83% and 68% respectively.



Solido SMART

State of the art SBR Treatment

Advanced Technical Qualities

The Solido SMART solution makes decentralised wastewater treatment easier and more efficient than ever. Trust its high-quality design and durable components to provide long-term performances and peace of mind.

- Low operational cost, offering long term savings.
- Discrete and silent treatment plant.
- Reduced installation and maintenance costs, Solido SMART tanks are lightweight, compact and have low installation depth requirements.
- Fully CE marked. Designed and tested in accordance with EN 12566-3.
- Polyethylene material - durable, recyclable and impact resistant.

! How it works

Solido SMART combines the benefits of an ultra-compact solution with the trusted performance of Solido technology. Integrating with SBR technology comparable to large municipal applications, the proven technology operates with direct aeration of the wastewater and without the need for primary treatment. This simple principle provides efficient wastewater treatment results without the emission of any odours.

1. Technology Capsule

Safely housed in the capsule, the compressor requires only 0.80 - 1.04 kWh/d for 6 - 9 PE plants respectively - providing an efficient and quiet treatment without disturbance to the homeowner.

2. Tube Diffuser

The incoming wastewater is immediately supplied with oxygen to ensure a very efficient and odourless treatment.

3. The SMART Pipe

Slows down the incoming influent and simplifies inspections. Makes part desludging safe and easy.

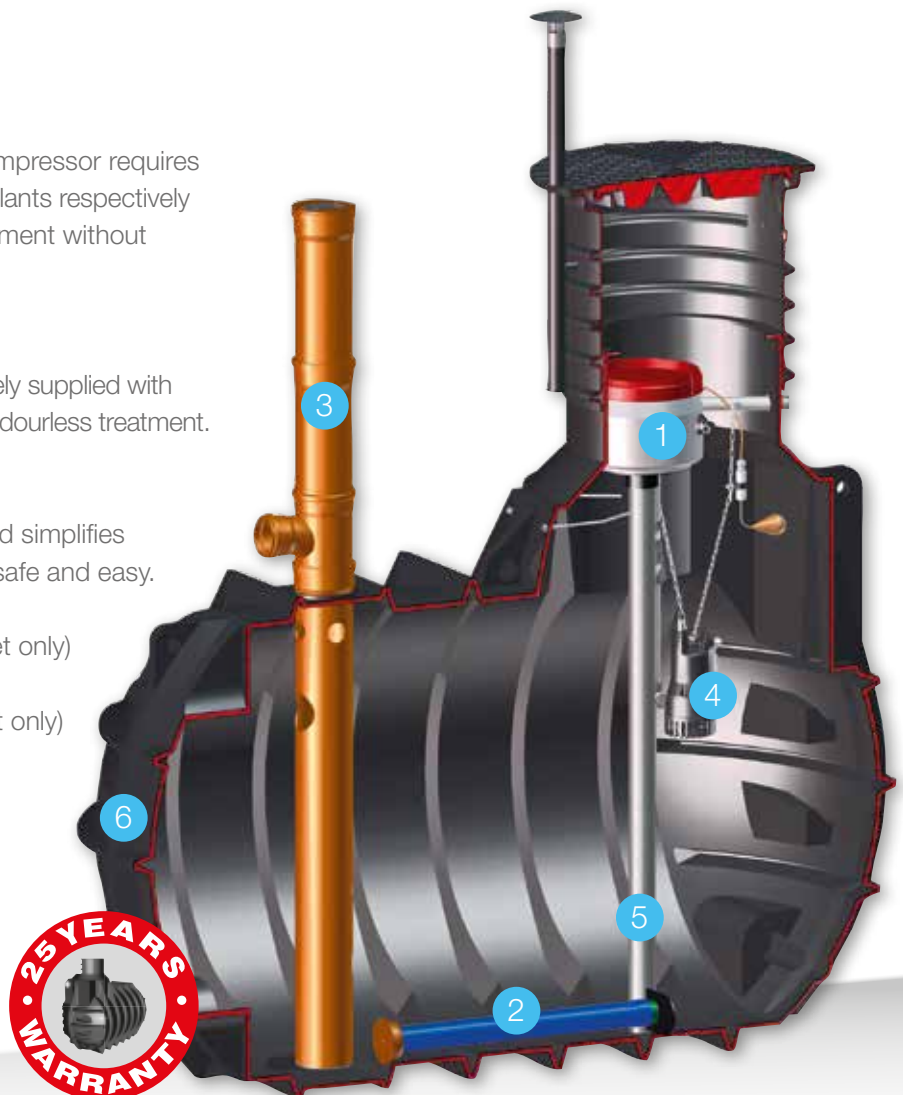
4. Clearwater Pump (Pumped outlet only)

5. Clearwater Air Lift (Gravity outlet only)

The patented self-flushing airlift prevents sludge loss and ensures high performances.

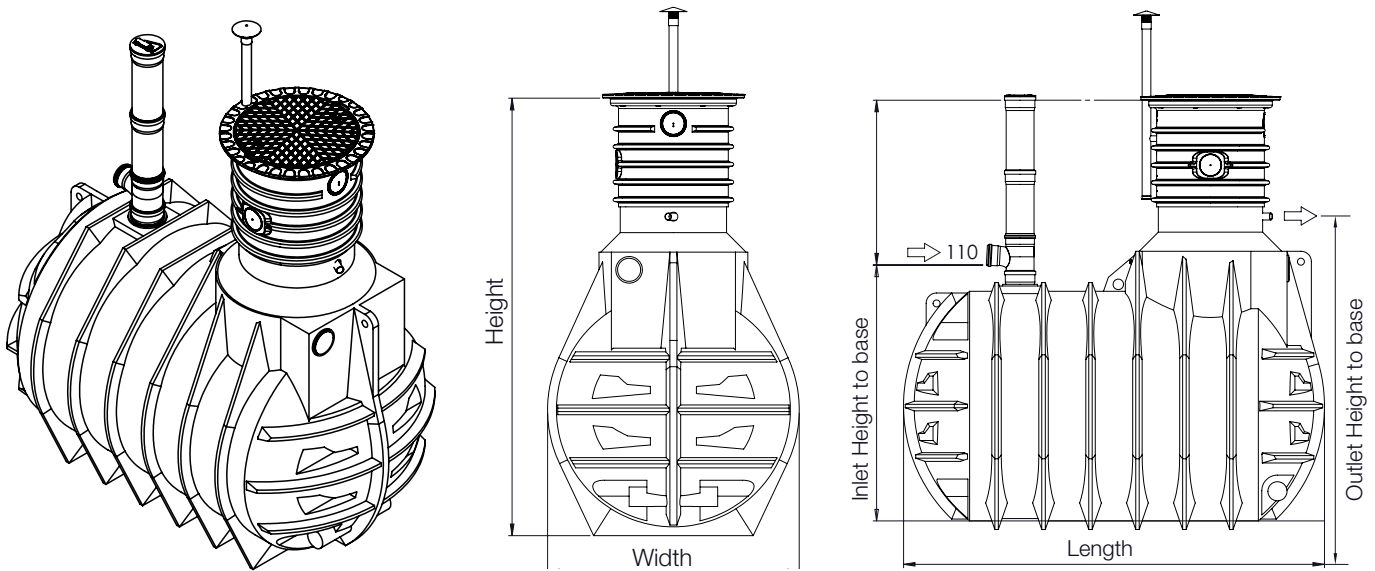
6. Solido-Tank

Manufactured seamlessly as one-piece from eco-friendly PE, with 25 years warranty.



Solido SMART Plant Size

Plant Size (PE)	discharge	Tank Type	Length (m)	Width (m)	Height (m)	INLET Height to base (m)	OUTLET Height to base (m)	Pipe Diameter (mm)	reference code
6 (max. 0.9 m ³ /d)	pumped	3000	2.42	1.42	2.06 – 2.47	1.47	1.73	110	KEBL3026
9 (max. 1.35 m ³ /d)	pumped	4500	2.42	1.79	2.34 – 2.75	1.74	2.06	110	KEBL4526
6 (max. 0.9 m ³ /d)	gravity	3000	2.42	1.42	2.06 – 2.47	1.47	1.40	110	KCBL3020
9 (max. 1.35 m ³ /d)	gravity	4500	2.42	1.79	2.34 – 2.75	1.74	1.73	110	KCBL4520



Installation

The Solido SMART Sewage Treatment Plant requires a relatively low cost and easy installation process. As the tank is super reinforced, concrete is not needed and the tank can be fully installed in free flowing granular backfill.

Warranty

All Premier Tech PE tanks come with a 25 year warranty as standard. Individual product and part warranties are available upon request.

Premier Tech work closely with a nationwide network of installation partners and detailed installation guidelines are provided with each product.

All electric work should be carried out in accordance with current regulations.