

UNIFIED CAGE (ALEXA MINI + LW)

Included:

(4) M4x8mm socket cap



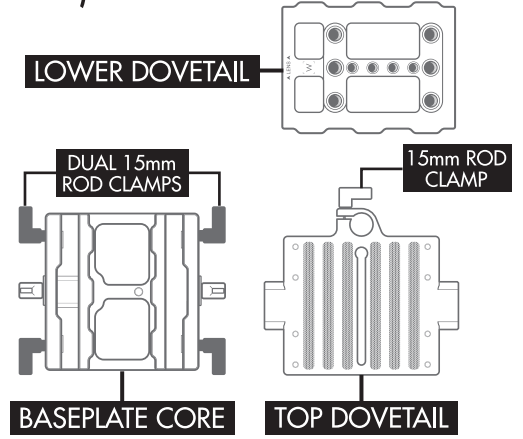
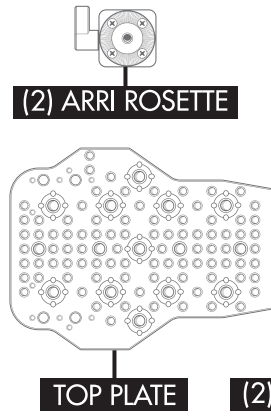
(4) M4x14mm socket cap



(8) 1/4-20x 3/8 socket cap

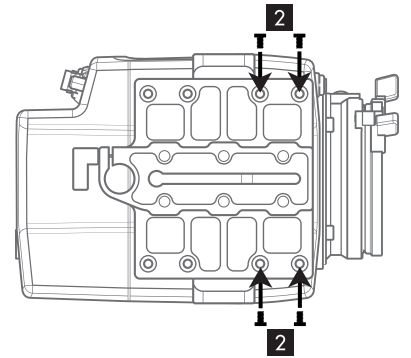
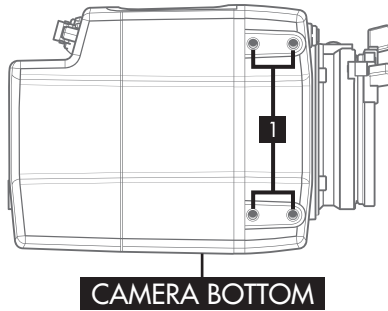
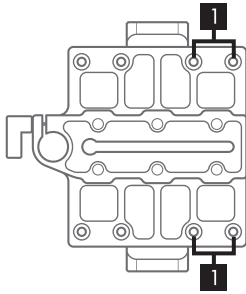


allen wrenches:

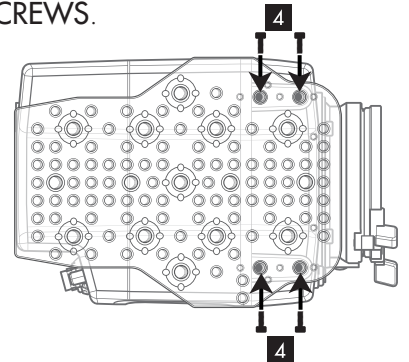
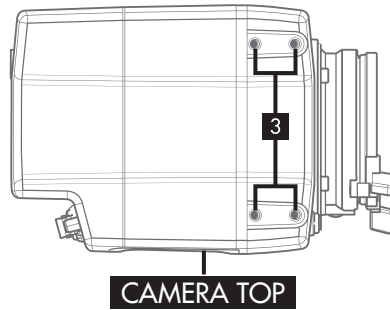
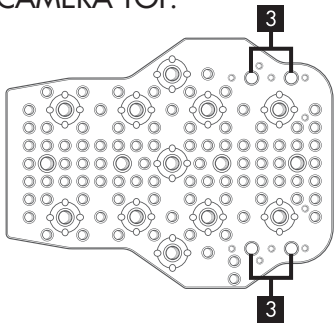


CAGE INSTALLATION

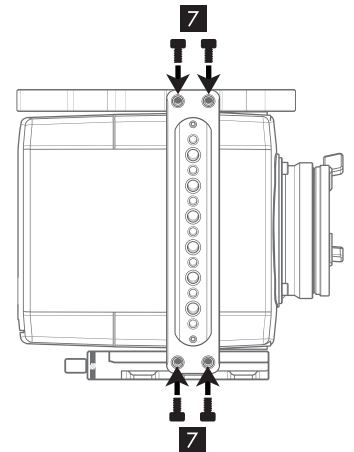
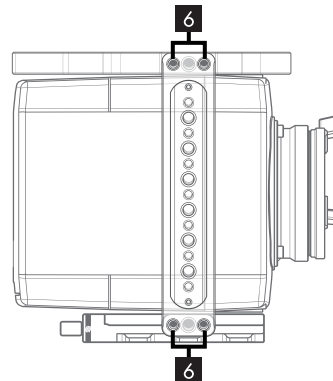
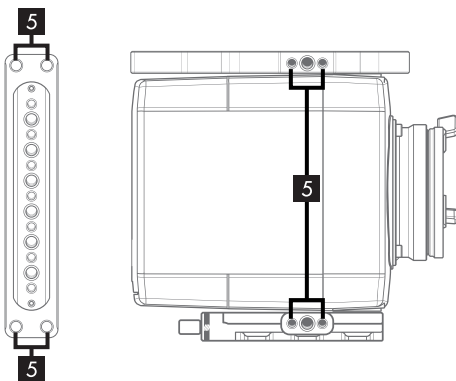
1. Remove **TOP DOVETAIL** from **BASEPLATE CORE**, locate the proper **M4 HOLES** on **TOP DOVETAIL** and **CAMERA BOTTOM** as shown below.
2. Select **M4x8mm SCREWS**, with **VERTICAL ROD CLAMP** facing backward. Align and tighten **TOP DOVETAIL** to **CAMERA**.



3. Locate and align **M4 HOLES** on **TOP PLATE** and **CAMERA TOP**.
4. Using **M3 allen wrench**, tighten **TOP PLATE** to **CAMERA** with **M4x14mm SCREWS**.

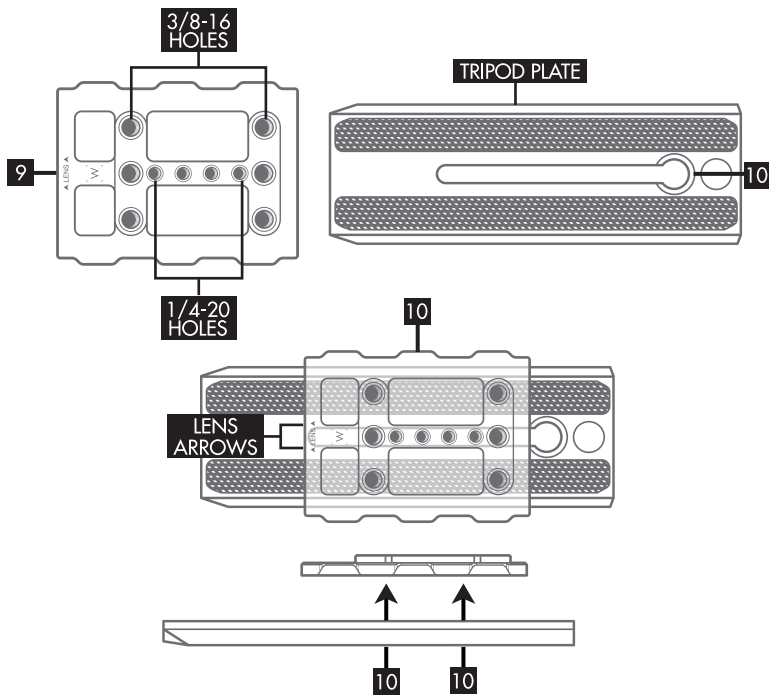


5. Locate **1/4-20 HOLES** on **NATO RAIL**, and sides of **TOP PLATE & TOP DOVETAIL**.
6. Align **1/4-20 HOLES** of **NATO RAIL** and side of **TOP PLATE & TOP DOVETAIL**.
7. Using **3/16 allen wrench**, tighten **NATO RAIL** to sides of **TOP PLATE & TOP DOVETAIL** with **1/4-20 SCREWS**.
8. Repeat to attach second **NATO RAIL** to other side.

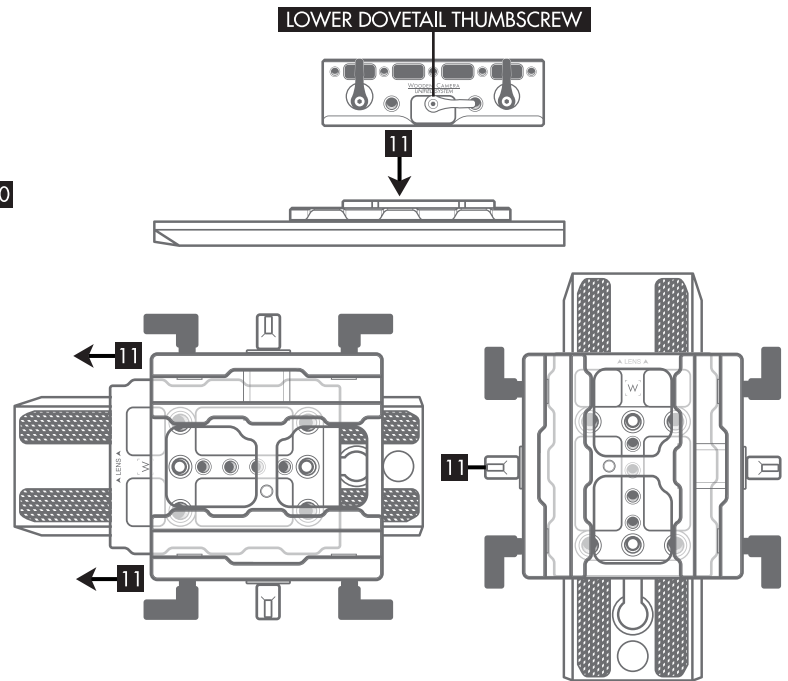


BASEPLATE INSTALLATION

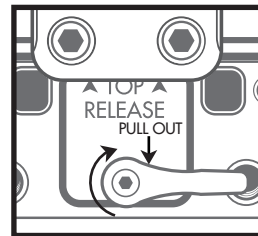
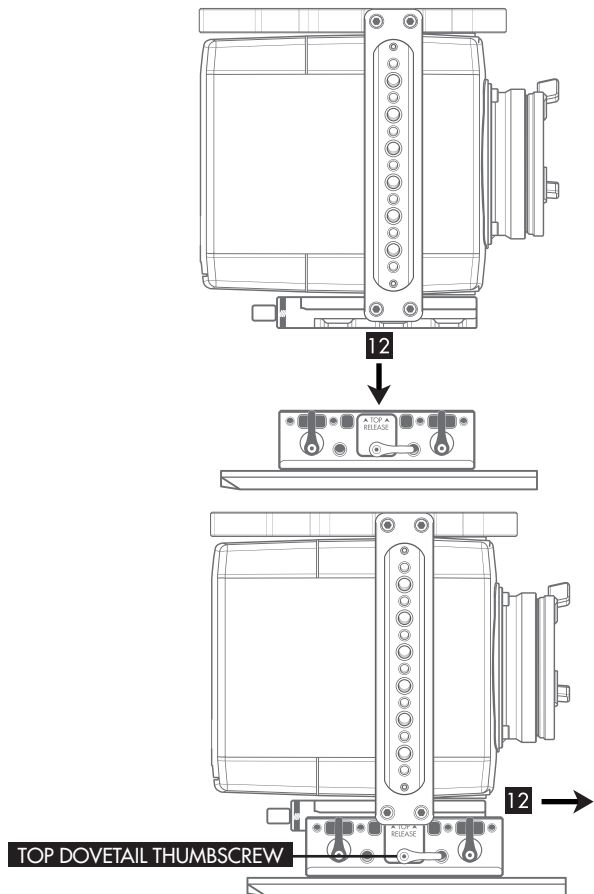
9. Select **LOWER DOVETAIL**, locate the indicated **1/4-20 & 3/8-16 HOLES** as shown below.
10. Attach to **BRIDGEPLATE** or **TRIPOD PLATE** using appropriate screws with **LENS ARROWS** facing forward.



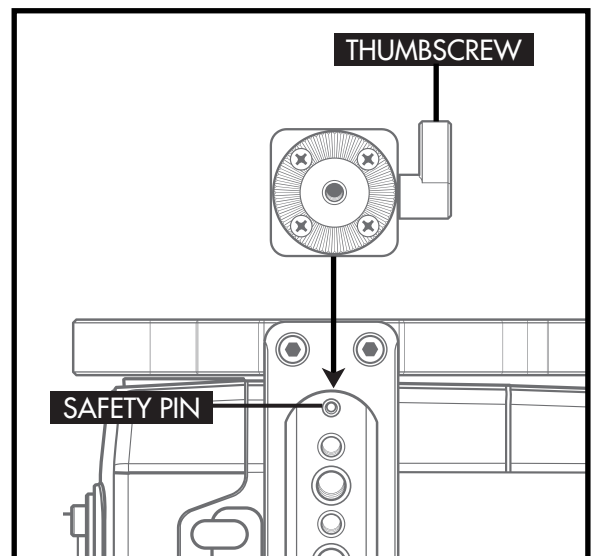
11. Select **BASEPLATE CORE**, with **ROD CLAMPS** facing up and **LOWER DOVETAIL THUMBSCREW** on left side of **LENS ARROWS**, drop **CORE** onto **DOVETAIL**, slide forward and tighten **THUMBSCREW**.



12. With **CAMERA LENS** facing forward lower **CAMERA** and **TOP DOVETAIL** into **CORE**, slide forward and tighten **TOP DOVETAIL THUMBSCREW**.



NOTE: Due to **NATO RAIL** position pull out **TOP DOVETAIL THUMBSCREW** and ratchet to fully tighten.



To attach **ROSETTES**, locate and depress **SAFETY PIN** to slide onto **NATO RAIL**. Tighten **THUMBSCREW** to secure.