

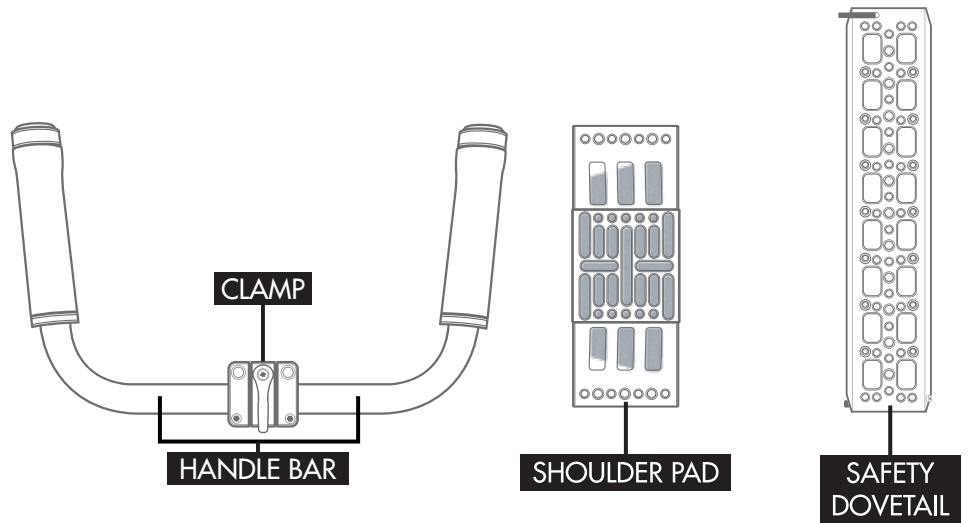
# CRUISER

Included:

(2) 1/4-20x3/8 socket cap 

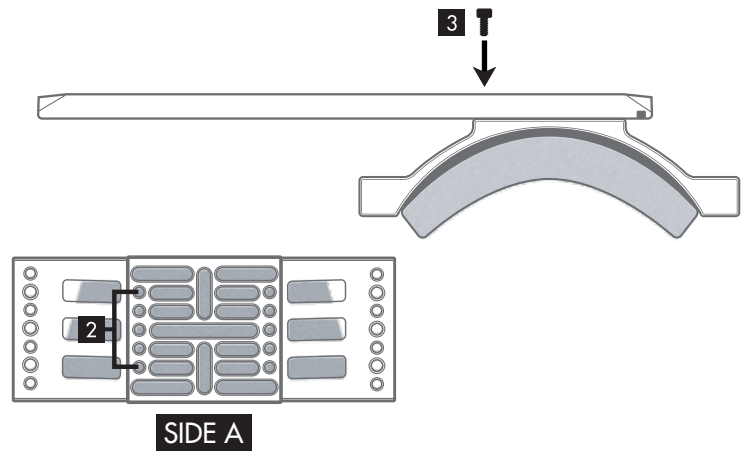
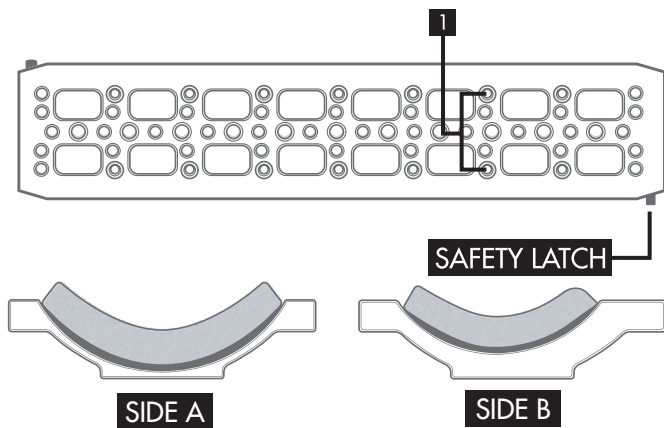
(2) 1/4-20x1 socket cap 

3/16 allen wrench 

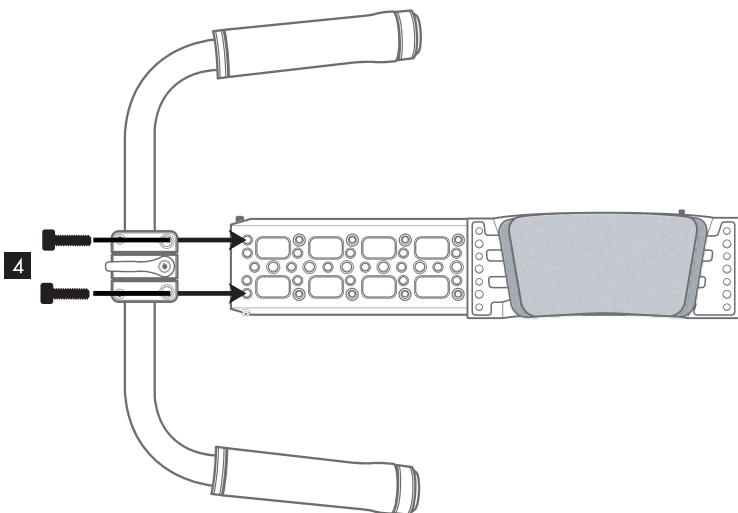


## INSTALLATION

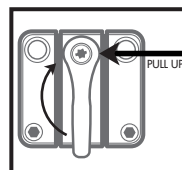
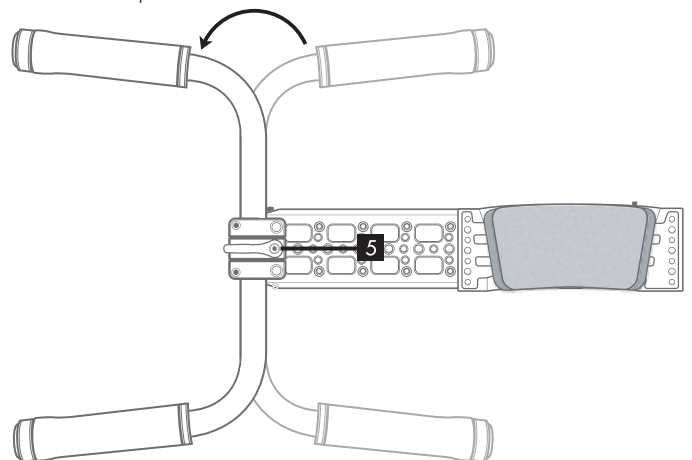
1. Select **DOVETAIL**, locate **SAFETY LATCH** and find noted **1/4 HOLES** as shown below
2. Select and locate **SIDE A** of **SHOULDER PAD** to find noted **1/4-20 HOLES** as shown below
3. With **SIDE A** facing **SAFETY LATCH**, align **DOVETAIL** over **SHOULDER PAD** as shown below, select **1/4-20x3/8 SOCKET CAPS**, tighten with allen wrench



4. Select **HANDLE BAR** and **1/4-20x1 SOCKET CAPS**, locate **1/4-20 HOLES** on **CLAMP**, align **HANDLE BAR** to **DOVETAIL**, tighten with allen wrench. If **1/4-20** screws are tight when inserting, loosen **THUMB SCREW**.



5. Loosen **THUMB SCREW** to adjust **HANDLE BAR** to desired position



**NOTE: THUMB SCREWS** can be adjusted by pulling upward and turning to desired position