

QUICK CAGE (ALEXA MINI)

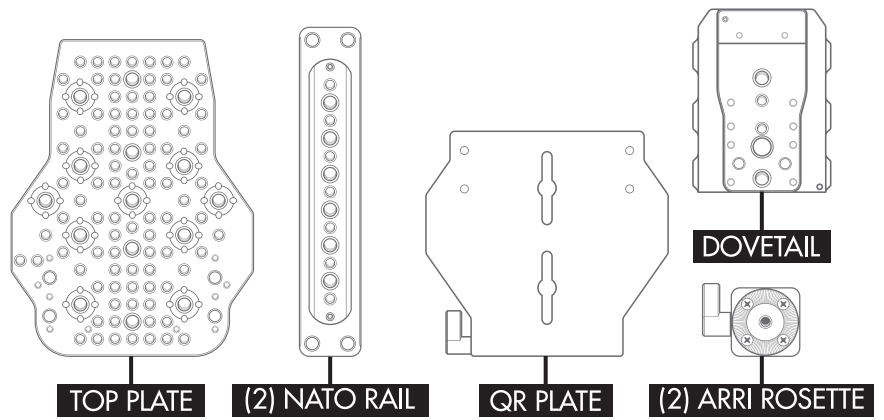
Included:

(4) M4x8mm socket low head 

(4) M4x14mm socket cap 

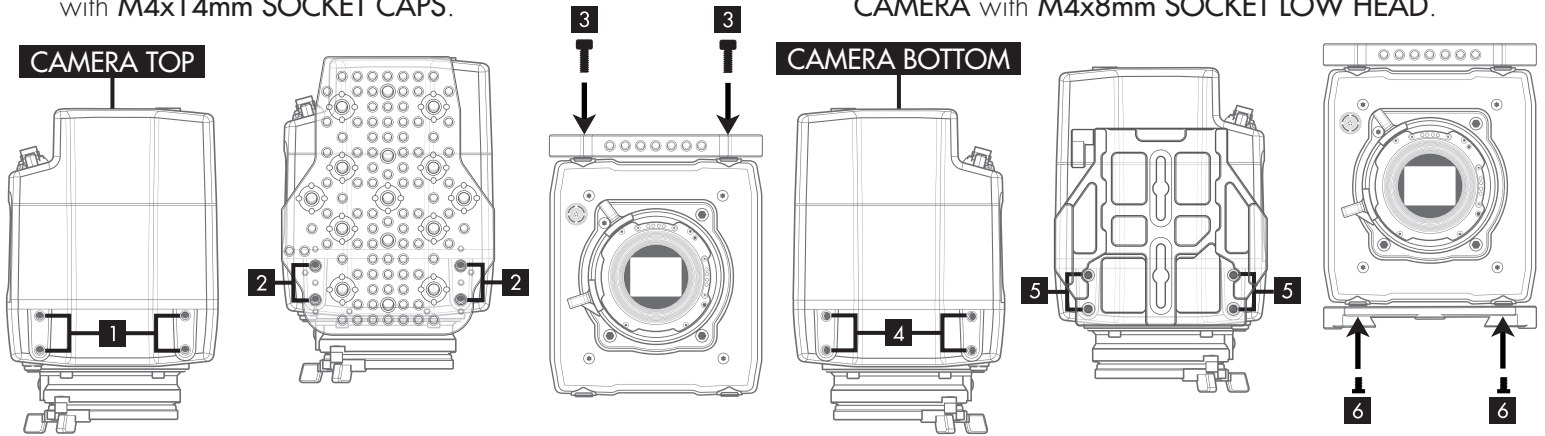
(8) 1/4-20x 3/8 socket cap 

allen wrenches:

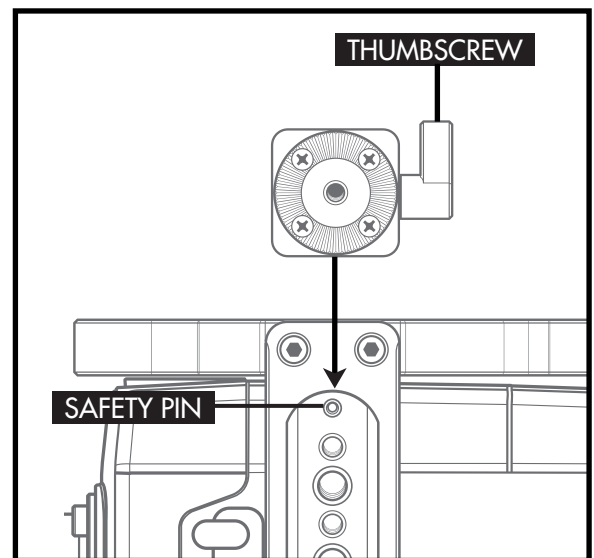
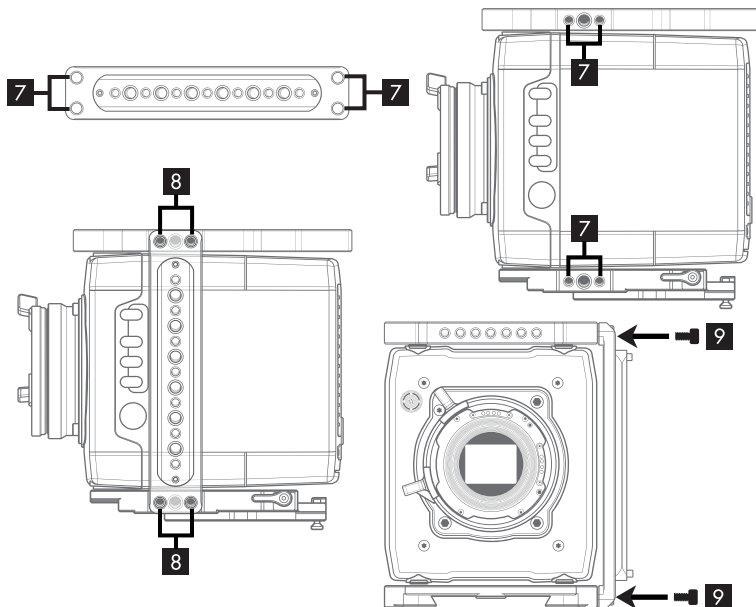


INSTALLATION

1. Locate **M4 HOLES** on top of **CAMERA**.
2. Align **M4 HOLES** of **TOP PLATE** and **CAMERA**.
3. Using **M3** allen wrench, tighten **TOP PLATE** to **CAMERA** with **M4x14mm SOCKET CAPS**.
4. Locate **M4 HOLES** on bottom of **CAMERA**.
5. Align **M4 HOLES** of **QR PLATE** and **CAMERA**.
6. Using **M2.5** allen wrench, tighten **QR PLATE** to **CAMERA** with **M4x8mm SOCKET LOW HEAD**.



7. Locate **1/4-20 HOLES** on **NATO RAIL**, and sides of **TOP PLATE & QR PLATE**.
8. Align **1/4-20 HOLES** of **NATO RAIL** and side of **TOP PLATE & QR PLATE**.
9. Using **3/16** allen wrench, tighten **NATO RAIL** to side of **TOP PLATE & QR PLATE** with **1/4-20 SOCKET CAPS**.
10. Repeat to attach second **NATO RAIL** to other side.



To attach **ROSETTES**, locate and depress **SAFETY PIN** to slide onto **NATO RAIL**. Tighten **THUMBSCREW** to secure.