

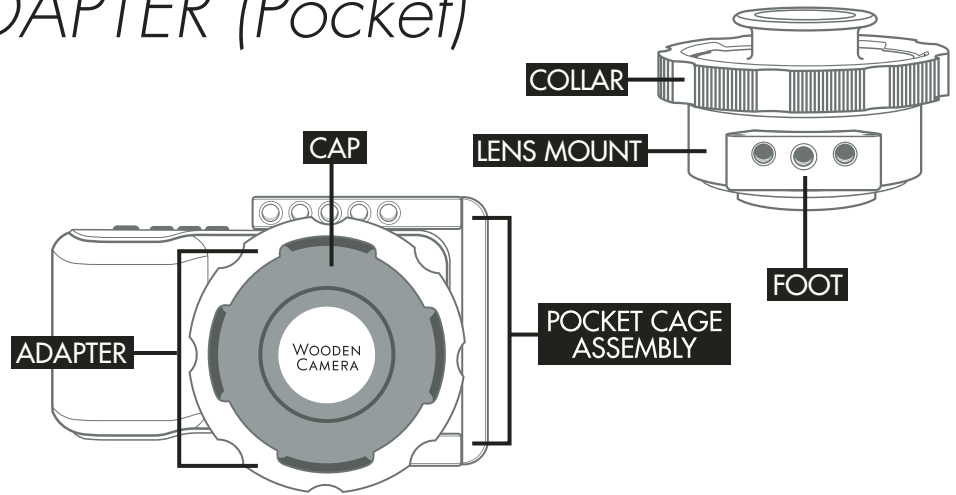
# MFT TO PL ADAPTER (Pocket)

Included:

(2) M4x20 socket caps 

M3 allen wrench 

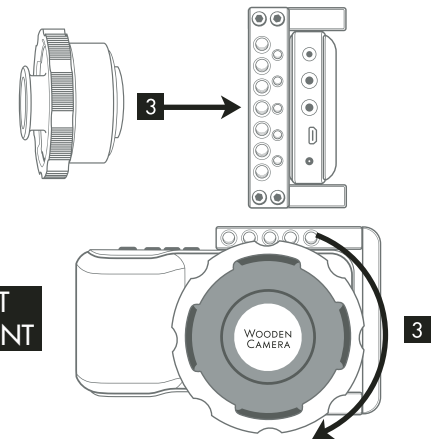
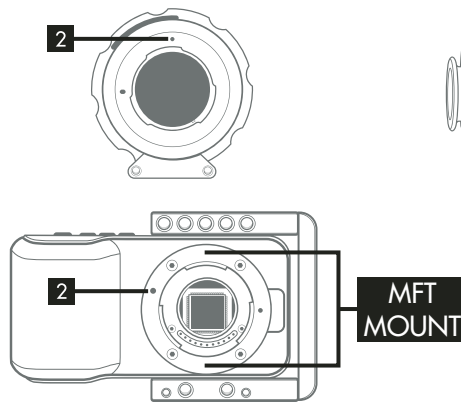
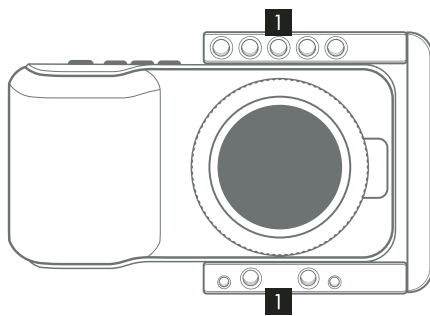
M2.5 allen wrench 



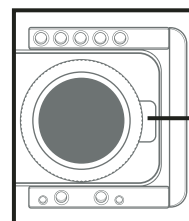
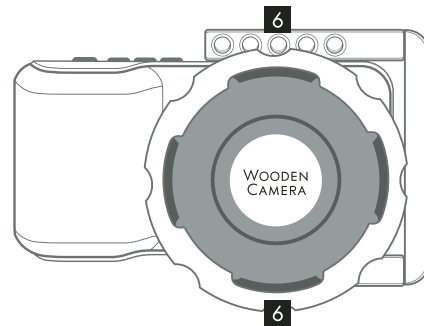
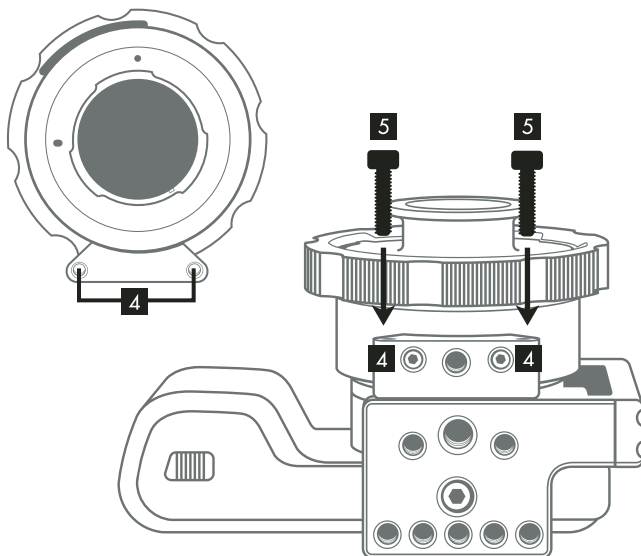
**NOTE:** POCKET CAGE assembly required.  
See POCKET CAGE assembly instructions.

## INSTALLATION

1. Locate and loosen **SOCKET CAPS** on **CAGE ASSEMBLY** with 3/16 allen wrench
2. Locate **RED MARK** on **LENS MOUNT** and **MFT MOUNT**
3. Aligning both **RED MARKS**, fit **LENS MOUNT** to **MFT MOUNT** and gently twist clockwise to lock into place



4. Locate **M4x20 HOLES** on **ADAPTER FOOT**
5. Using M3 allen wrench tighten **M4x20 SOCKET CAPS** through **ADAPTER FOOT** into **CAGE ASSEMBLY**, **COLLAR** may need to be rotated for screws to mount properly
6. With **ADAPTER** in place re-secure **CAGE ASSEMBLY** to **CAMERA** by tightening **SOCKET CAPS** with 3/16 allen wrench



**NOTE:** To remove **ADAPTER**, remove **M4x20 SOCKET CAPS** from **ADAPTER FOOT**, push down on release button, and rotate counterclockwise.