




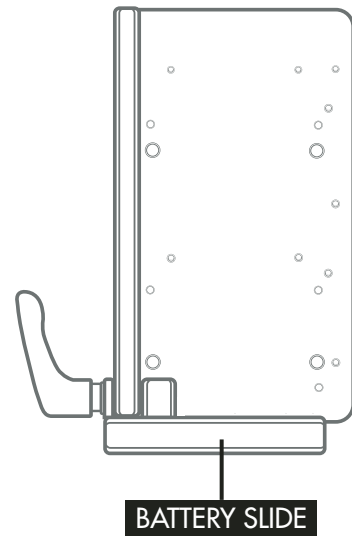


# BATTERY SLIDE

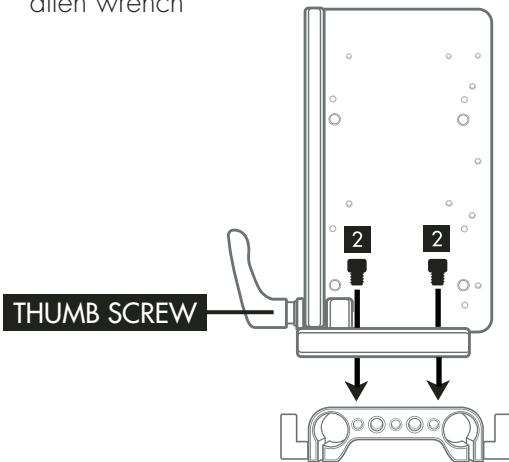
Included:

- (2) 1/4-20x1/4 socket cap 
- (6) M3x14mm phillips pan head screw (Blueshape/RED) 
- (4) M3x12mm phillips pan head screw (Anton Bauer) 
- (4) M3x8mm phillips pan head (IDX/Swit) 
- (6) M3x8mm phillips flat head 

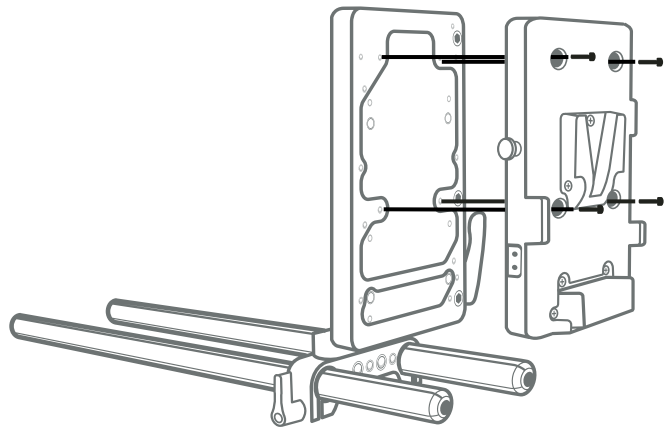


## INSTALLATION

1. Locate two 1/4-20 HOLES spaced up to 36mm on ROD CLAMP or CHEESEPLATE (not included)
2. Select 1/4-20x1/4 SOCKET CAPS and BATTERY SLIDE, tighten to ROD CLAMP or CHEESEPLATE with allen wrench



3. Attach BATTERY MOUNT using corresponding PAN HEAD SCREWS (see HOLE CHART below)



**NOTE:** To change BATTERY SLIDE position loosen THUMB SCREW and slide into desired position

For attaching to battery mount find appropriate threaded holes by using the HOLE CHART below. Insert and tighten PHILLIPS HEAD SCREWS into corresponding hole as shown on HOLE DIAGRAM.

HOLE CHART	
<b>A=</b>	Swit/IDX V-Mount
<b>B=</b>	A/Bauer QRC
<b>C=</b>	RED/Blueshape
<b>D=</b>	Swit/Jetpack

## HOLE DIAGRAM

