

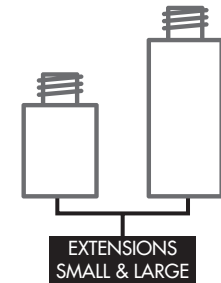
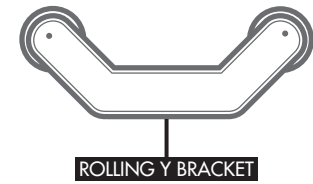
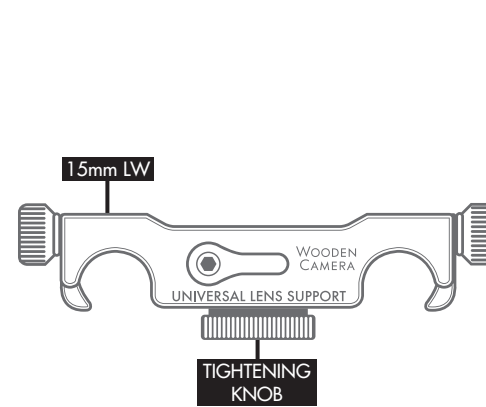
WOODEN CAMERA®

UNIVERSAL LENS SUPPORT (15mm LW)

INSTALLATION GUIDE



INCLUDED



© Wooden Camera, Inc. 2011-2019

INSTALLATION

NOTE: Lens Support comes with factory installed 1/4-20 Screw. To remove and install additional adapters follow the steps.

1. Select Lens Support, loosen thumbscrew, locate and loosen Tightening Knob to remove 1/4-20 Screw.

2. Choose desired adapter type. For example: select and tighten Y Bracket to Large Extension and install as shown below.

3. Select Lens Support, insert Y Bracket, insert Tightening Knob, adjust up or down to proper lens height, tighten Thumbscrew until vertical position is secure.

4. Place Lens Support on Rods and tighten using Thumbwheels.
5. Unlock Thumbscrew, center Y Bracket position under Lens, adjust height and re-tighten Thumbscrew.

