
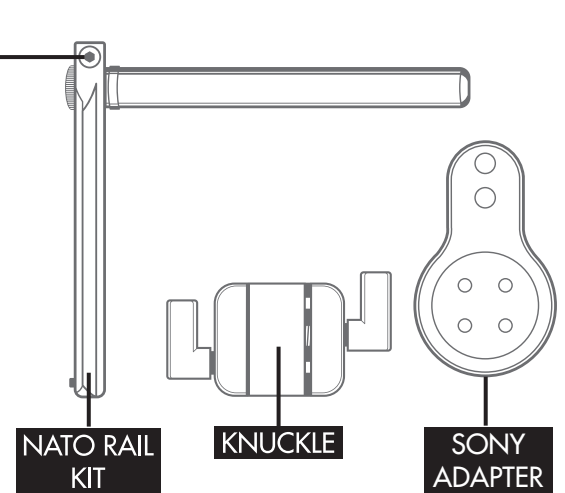


UVF MOUNT V2 (F55/F5, No Clamp)

Included:

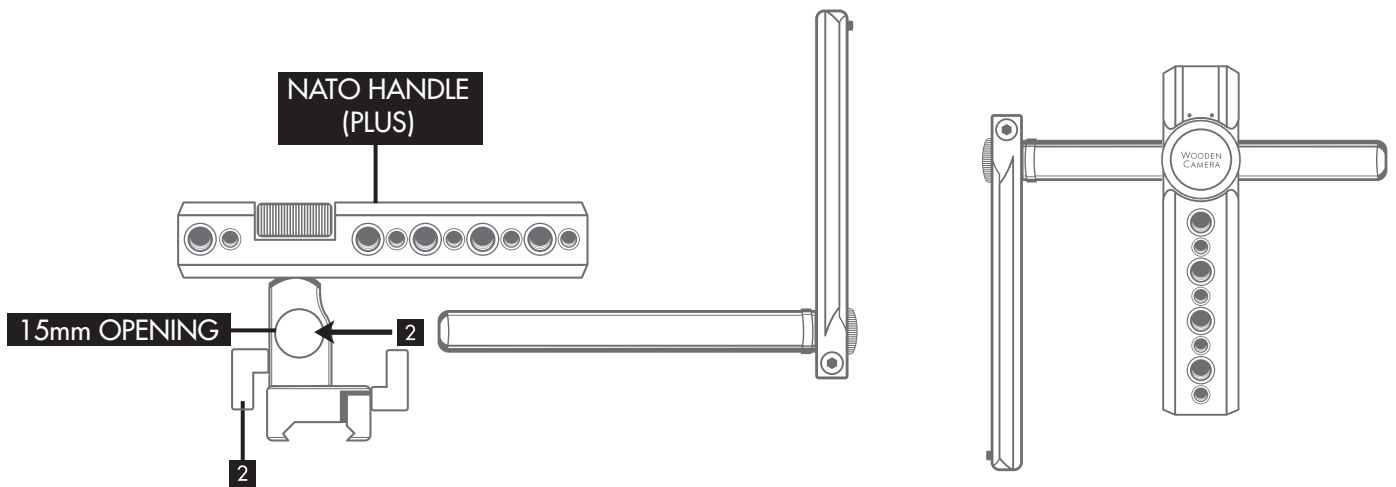
(1) 3/16 allen wrench

 M4 screw can be replaced with spare thumb screw included with NATO RAIL KIT

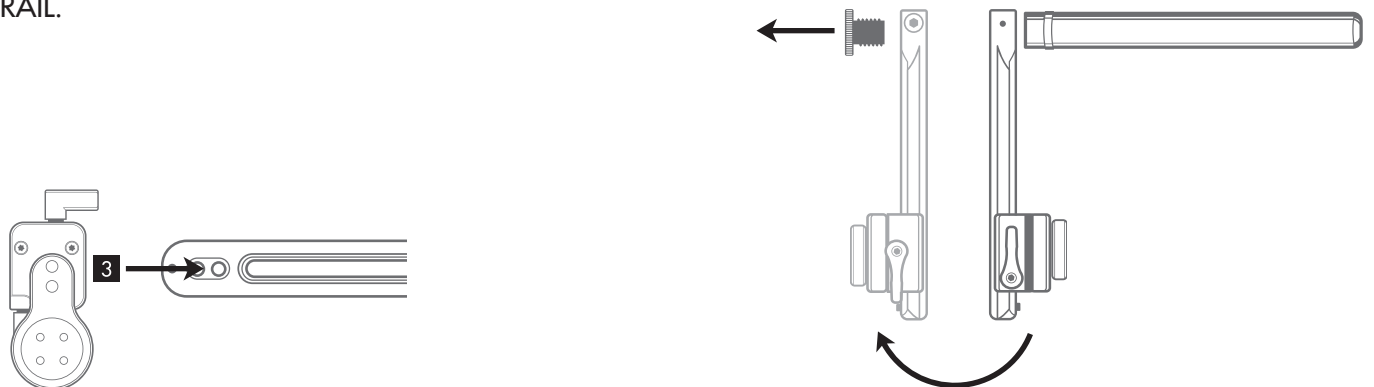


INSTALLATION

1. Select NATO RAIL KIT and locate 15mm OPENING on NATO HANDLE PLUS.
2. Slide NATO RAIL KIT into 15mm OPENING, tighten using thumbscrew.



3. Slide KNUCKLE and SONY ADAPTER onto NATO RAIL.



NOTE: To change viewfinder position, remove ROD END CAP, flip NATO RAIL, reinstall and adjust viewfinder using KNUCKLE THUMBSCREW