

# WOODEN CAMERA®

SIDE PLATE (BMSC)

## INSTALLATION GUIDE



## HOLE CHART

For attaching accessories find appropriate threaded holes by using the Hole Chart below. Insert and tighten Phillips Pan Head Screws or 1/4-20 Screws into corresponding hole as shown on the Hole Diagram on the next page.

### HOLE CHART

- A= Anton Bauer
- B= Hyperdeck Shuttle
- C= IDX/Swit
- D= Odyssey 7 (NOTE: Install M2.5 locating socket cap on plate prior to installing 1/4-20 screw)

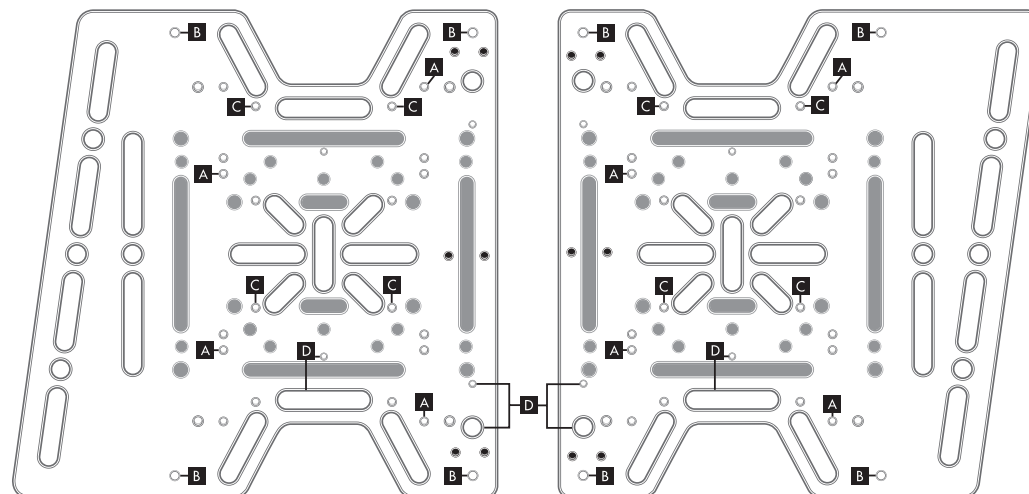
© Wooden Camera, Inc. 2011-2019

## HOLE DIAGRAM

Additional Attachment Holes:

● = Wireless Audio Receiver

● = Side Plate Cable Clamp

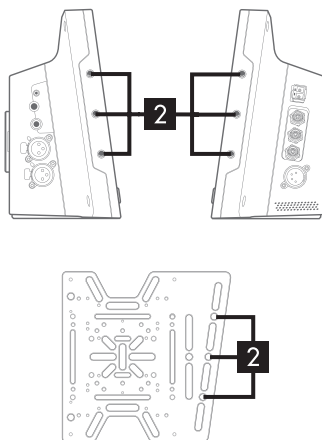


## INCLUDED

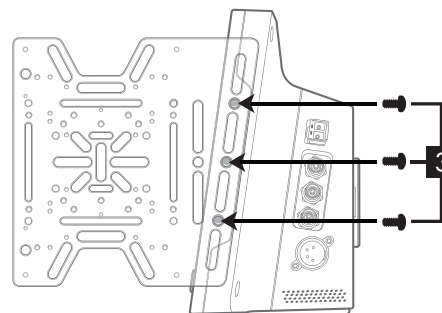
- 5x 1/4-20x3/8 socket button
- 3x 1/4-20x5/8 socket button
- 4x M3x12mm Phillips pan head (Anton Bauer)
- 4x M3x10mm Phillips pan head (Hyperdeck Shuttle)
- 4x M3x8mm Phillips pan head (IDX/Swit)
- 1x M2.5x4mm socket cap screw (Odyssey 7)

## INSTALLATION

1. For single Plate attachment, select Plate and three 1/4-20x3/8 Screws.
2. Select Camera, locate 1/4-20 Holes on right or left side of Camera Body and Side Plate.



3. Align 1/4-20 Holes on Camera Body and Side Plate, select and tighten 1/4-20x3/8 Screws with allen wrench.



4. For multiple Plate attachment, align Plates to Camera Body as shown below, select and tighten 1/4-20x5/8 SCREWS with allen wrench.

