

# WOODEN CAMERA® QUICK BACK v2

## INSTALLATION GUIDE



## INCLUDED



4x Shims



3mm allen wrench

### SCREW PACKS

2x M4x12mm socket caps

4x M3x5mm socket caps

4x M3x8mm Phillips

4x M3x12mm Phillips

6x M3x14mm Phillips

## SCREW CHART

### SCREW CHART

A= Camera Brain- M4x12mm socket caps

B= Jetpack/Battery Back- M3x5mm socket caps

C= Swit/IDX V-Mount- M3x8mm Phillips

D= A/Bauer QRC (Low Position)- M3x12mm Phillips

E= A/Bauer QRC (High Position)- M3x12mm Phillips

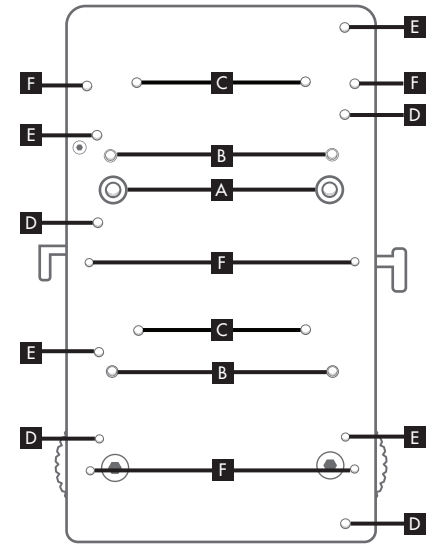
F= RED/Blueshape- M3x14mm Phillips



## IMPORTANT

Thumb Wheels can only be attached to camera brain.

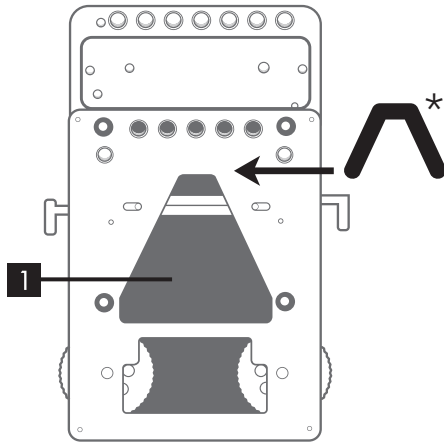
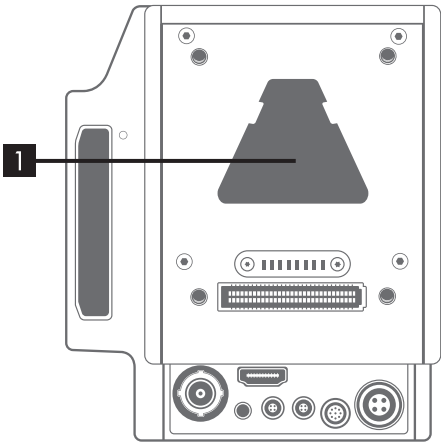
## HOLE DIAGRAM



© Wooden Camera, Inc. 2011-2019

## INSTALLATION

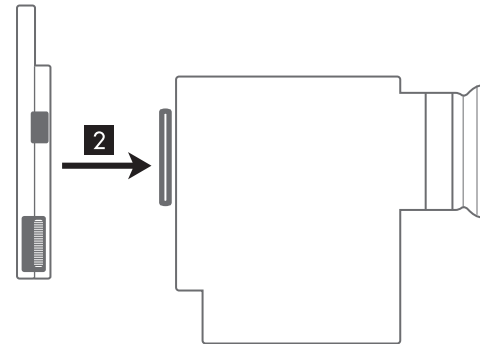
1. Locate Rear A on back of Camera Body and Locking Area on front of Quick Back



**NOTE:** Shim stickers can be added to Quick Back above Attachment Hole if necessary

2. Align, insert, and gently push down until Locking Arms snap into place

3. With Quick Back attached to Camera Body rotate Thumb Wheels to tighten onto Camera Body



4. Find appropriate screws and threaded holes by using the Screw Chart. Insert and tighten into corresponding hole as shown on Hole Diagram.

