

WOODEN CAMERA[®]

MFT TO PL ADAPTER (POCKET)

INSTALLATION GUIDE



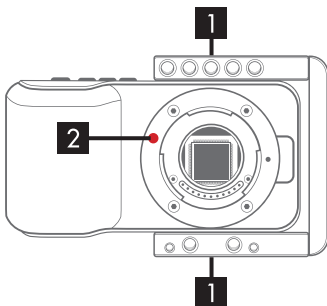
NOTE: Pocket Cage required.

© Wooden Camera, Inc. 2011-2019

INSTALLATION

1/4-20 support foot
MFT to PL adapter
2x M4x20 socket caps

1. Locate and loosen Socket Caps on Cage Assembly with 3/16 allen wrench
2. Locate RED Mark on Lens Mount and MFT Mount
3. Aligning both RED Marks, fit Lens Mount to MFT Mount and gently twist clockwise to lock into place



4. Locate M4x20 Holes on Adapter Foot
5. Using M3 allen wrench tighten M4x20 Socket Caps through Adapter Foot into Cage Assembly. Collar may need to be rotated for screws to mount properly.
6. With Adapter in place re-secure Cage to Camera by tightening Socket Caps with 3/16 allen wrench

