

WOODEN CAMERA[®]

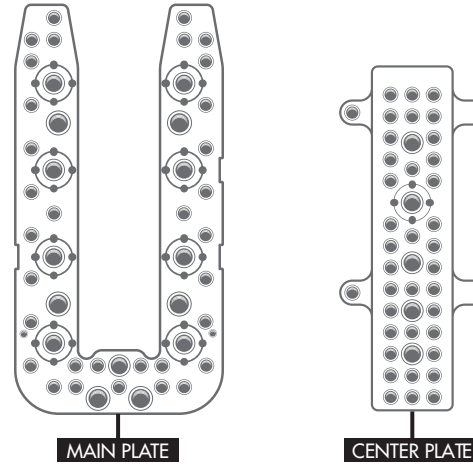
TOP PLATE (SONY FS7)

INSTALLATION GUIDE



INCLUDED

- 3/16 allen wrench
- 6x 1/4-20 x 1/2 socket cap
- 1x M2.6 x 5 Phillips pan head

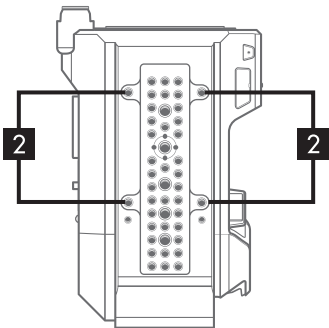


© Wooden Camera, Inc. 2011-2019

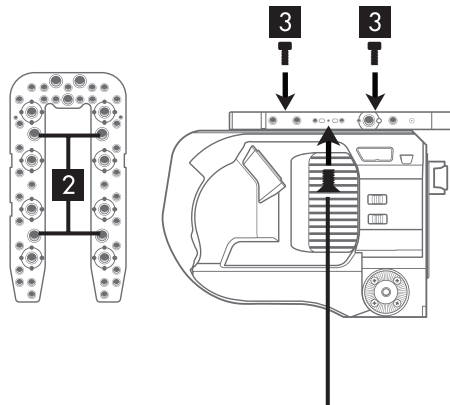
INSTALLATION

TOP PLATE ASSEMBLY ONLY

1. Locate and align 1/4-20 Holes Top Handle and align on top of camera.
2. Locate and align 1/4-20 Holes of Main Plate with Top Handle.



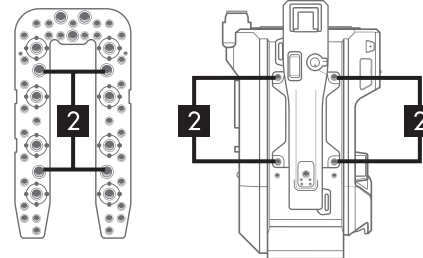
3. Select and tighten 1/4-20x1/2 Screws with allen wrench to secure Main & Center Plate assembly to Camera.



NOTE: To relocate Cable Clamp to side of Top Plate use M2.6x5 Screw.

MAIN PLATE & FS7 TOP HANDLE

1. Locate and align 1/4-20 Holes Top Handle and align on top of camera.
2. Locate and align 1/4-20 Holes of Main Plate with Top Handle.



3. Select and tighten 1/4-20x1/2 Screws with allen wrench to secure Main Plate & Top Handle to Camera.

