

WOODEN CAMERA®

DIRECTOR'S MONITOR CAGE v3

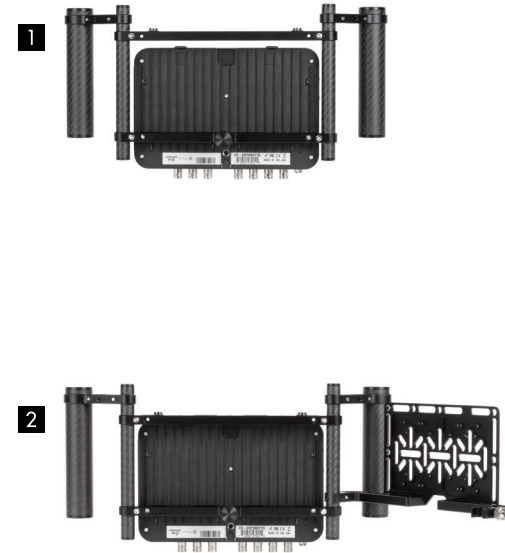
MONITOR INSTALLATION GUIDE



ODYSSEY 7Q

2x M3x6mm Socket Cap Screws

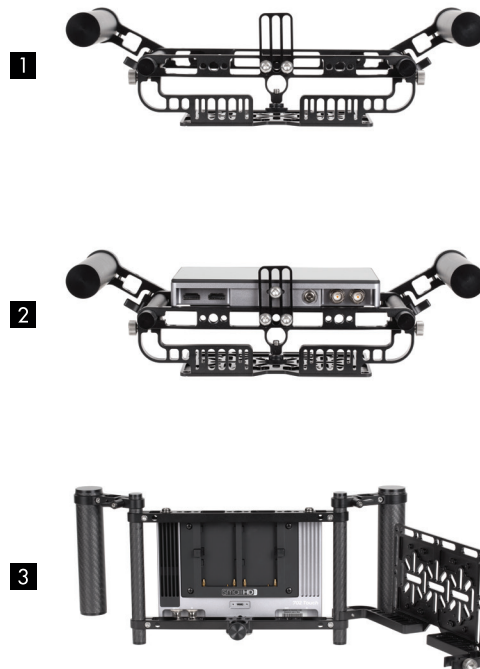
1. Locate M3 screw holes and attach Odyssey to lower bracket using (2) M3x6mm socket cap screws.
2. Adjust upper, main bracket to be flush with the top of display by loosening M4 screw.



SMALL HD

1x Offset Bracket
 1x 1/4-20x3/8" Socket Button Screw
 2x 1/4-20x1/2" Socket Button Screws

1. Attach Offset Bracket beneath lower, main bracket using (2) 1/4-20x1/2" Socket Button Screws, leaving clearance for C-stand hole.
2. Attach SmallHD display to middle channel of Offset Bracket using (1) 1/4-20x3/8" Socket Button Screw.
3. Adjust upper, main bracket to be flush with top of display by loosening M4 screw.



ATOMOS

2x Offset Brackets
 2x 1/4-20x3/8" Socket Button Screws
 4x 1/4-20x1/2" Socket Button Screws

1. Attach Offset Bracket above lower, main bracket using (2) 1/4-20x1/2" Socket Button Screws, leaving clearance for C-stand hole.
2. Attach Atomos display to middle channel of Offset Bracket using (1) 1/4-20x3/8" Socket Button Screw.
3. Adjust upper, main bracket to be flush with top of display by loosening M4 screw. Attach Offset Bracket above upper, main bracket using (2) 1/4-20x1/2" Socket Button Screws.
4. Attach Atomos display to middle channel of offset bracket using (1) 1/4-20x3/8" Socket Button Screw

