

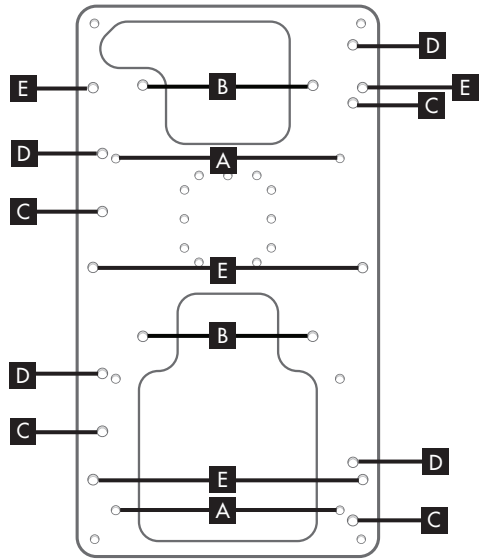
WOODEN CAMERA®

D-BOX (D-TAP, BASE UNIT)

INSTALLATION GUIDE



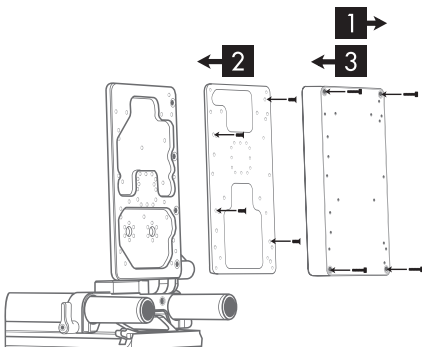
HOLE DIAGRAM



© Wooden Camera, Inc. 2011-2019

INSTALLATION

1. Loosen Socket Caps on D-Box with 2.5mm allen wrench to remove Cover.
2. Align Cover as shown below, select M3 Phillips Flat Head Screws, locate M3 Holes, insert and tighten to battery mounting plate. Battery Slide shown for reference.
3. Select D-Box and Socket Caps, locate M3 Holes and tighten to Cover using allen wrench.



HOLE CHART

For attaching to battery mount find appropriate threaded holes by using the Hole Chart below. Insert and tighten M3 Screws into corresponding hole as shown on Hole Diagram.

HOLE CHART

- A= Jetpack/Battery Back
- B= Swit/IDX V-Mount
- C= A/Bauer QRC (Low Position)
- D= A/Bauer QRC (High Position)
- E= RED/Blueshape

NOTE: D-Box can attach to most battery plate hole patterns. See Hole Chart.