

WOODEN CAMERA®

D-BOX C300MKII

INSTALLATION GUIDE



© Wooden Camera, Inc. 2011-2019

HOLE CHART

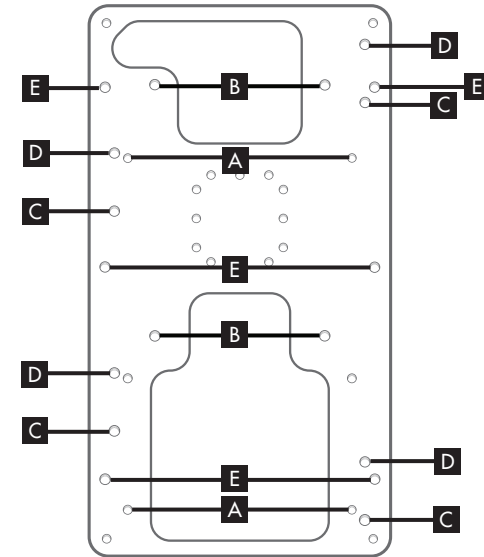
For attaching to battery mount find appropriate threaded holes by using the Hole Chart below. Insert and tighten M3 Screws into corresponding hole as shown on Hole Diagram.

HOLE CHART

- A= Jetpack/Battery Back
- B= Swit/IDX V-Mount
- C= A/Bauer QRC (Low Position)
- D= A/Bauer QRC (High Position)
- E= RED/Blueshape

NOTE: D-Box can attach to most battery plate hole patterns. See Hole Chart.

HOLE DIAGRAM



INSTALLATION

1. Loosen Phillips Pan Head Screws on (Gold Mount or V-Mount) with screwdriver and remove plate.

2. Loosen Socket Caps on D-Box with 2.5mm allen wrench to remove Cover.

3. Align Cover as shown below, select M3 Phillips Flat Head Screws, locate M3 Holes, insert and tighten to battery mounting plate. Battery Slide shown for reference.

4. Select D-Box and Socket Caps, locate M3 Holes and tighten to Cover using allen wrench.

5. Locate M3 Phillips Pan Head Screws and attach (Gold Mount or V-Mount) to D-Box with screwdriver.

