

WOODEN CAMERA® D-BOX ALEXA MINI / MINI LF

INSTALLATION GUIDE



NOTE

- ▶ The ARRI Alexa Mini can use battery voltages from 10.5 to 34 volts DC, but the camera has a user-programmable low voltage warning with a default value of 22.4 volts. When using V-Mount or Gold Mount batteries, the user should use the menu "System" and "Power" to change the warning level to preferably 12.4 volts to allow a good operating margin.
- ▶ D-Box can attach to most battery plate hole patterns. See Hole Chart. D-Box is also compatible with ARRI BAP-1.

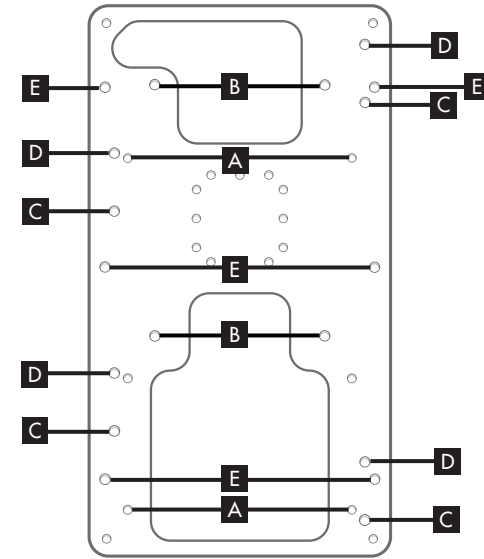
HOLE CHART

For attaching to battery mount find appropriate threaded holes by using the Hole Chart below. Insert and tighten M3 Screws into corresponding hole as shown on Hole Diagram.

HOLE CHART

- A= Jetpack/Battery Back
- B= Swit/IDX V-Mount
- C= A/Bauer QRC (Low Position)
- D= A/Bauer QRC (High Position)
- E= RED/Blueshape

HOLE DIAGRAM



© Wooden Camera, Inc. 2011-2019

INSTALLATION

1. Loosen Phillips Pan Head Screws on (Gold Mount or V-Mount) with screwdriver and remove plate.

2. Loosen Socket Caps on D-Box with 2.5mm allen wrench to remove Cover.

3. Align Cover as shown below, select M3 Phillips Flat Head Screws, locate M3 Holes, insert and tighten to battery mounting plate. Battery Slide shown for reference.

4. Select D-Box and Socket Caps, locate M3 Holes and tighten to Cover using allen wrench.

5. Locate M3 Phillips Pan Head Screws and attach (Gold Mount or V-Mount) to D-Box with screwdriver.

