

WOODEN CAMERA®

C-BOX (HD-SDI, D-TAP)

INSTALLATION GUIDE



NOTE: The C-BOX will accept all common 1080p and 1080i signals. PsF signals and 4K input are not supported.

© Wooden Camera, Inc. 2011-2019

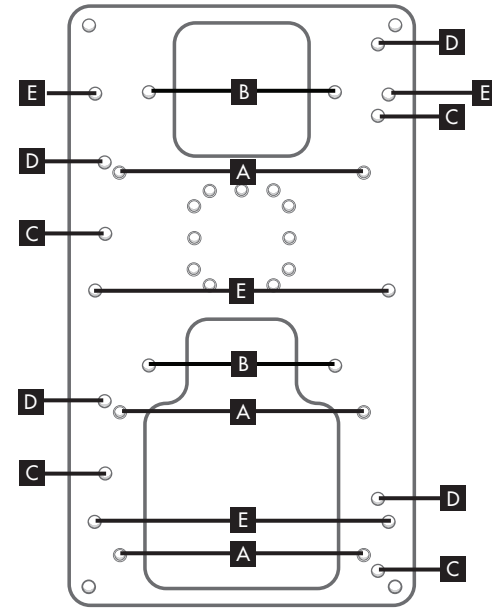
HOLE CHART

For attaching to battery mount find appropriate threaded holes by using the Hole Chart. Insert and tighten M3 Screws into corresponding hole as shown on Hole Diagram.

HOLE CHART

- A= Jetpack/Battery Back
- B= Swit/IDX V-Mount
- C= A/Bauer QRC (Low Position)
- D= A/Bauer QRC (High Position)
- E= RED/Blueshape

HOLE DIAGRAM

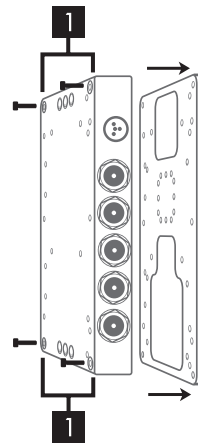


INCLUDED

- 2.5mm allen wrench
- 4x M3x16mm socket caps
- 6x M3x6mm Phillips flat-head screws

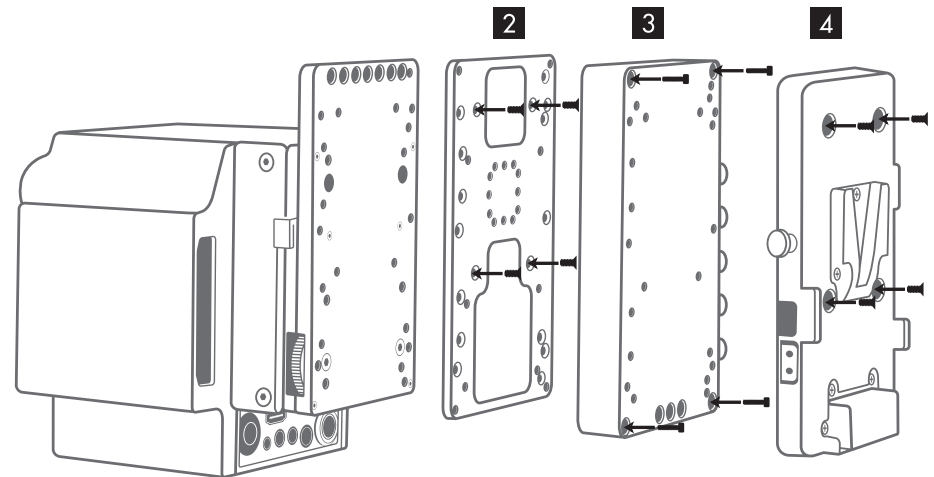
INSTALLATION

1. Loosen Socket Caps on C-BOX with 2.5mm allen wrench to remove Cover



NOTE: C-BOX can attach to most battery plate hole patterns. See Hole Chart. C-BOX is also compatible with other battery mounting systems.

2. Align Cover as shown below, select M3 Phillips Screws, locate M3 Holes, insert and tighten to battery mounting plate. Quick Back shown for reference.



3. Select C-BOX and Socket Caps, locate M3 Holes and tighten to Cover using allen wrench
4. Locate M3 Phillips Screws and attach Battery Plate to C-BOX with screwdriver