

WOODEN CAMERA[®]

BATTERY SLIDE

INSTALLATION GUIDE



© Wooden Camera, Inc. 2011-2019

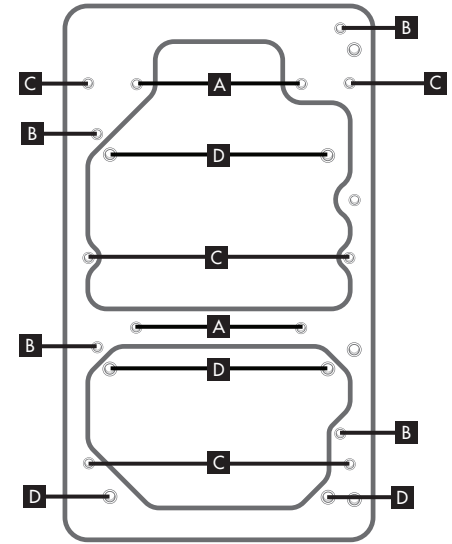
HOLE CHART

For attaching to battery mount find appropriate threaded holes by using the Hole Chart below. Insert and tighten Phillips Head Screws into corresponding hole as shown on Hole Diagram.

HOLE CHART

- A= Swit/IDX V-Mount/WC V-Mount
- B= A/Bauer QRC/WC Gold Mount
- C= RED/Blueshape
- D= Swit/Jetpack

HOLE DIAGRAM



INCLUDED

2x 1/4-20x1/4 socket cap



6x M3x14mm phillips pan head screw (Blueshape/RED)

1/4-20x1/4 socket cap

4x M3x12mm phillips pan head screw (Anton Bauer)



M3x14mm phillips pan head screw

4x M3x8mm phillips pan head (IDX/Swit)



M3x12mm phillips pan head screw

6x M3x8mm phillips flat head (Swit/JetPack)



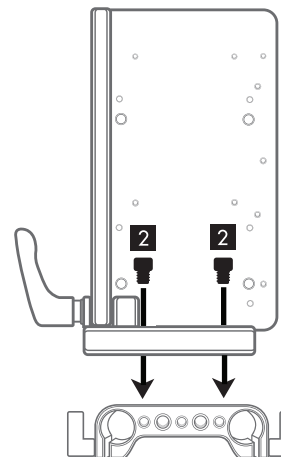
M3x8mm phillips pan head



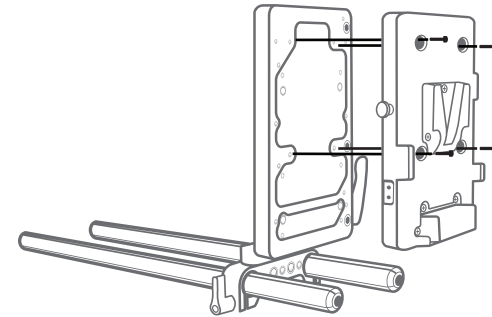
M3x8mm phillips flat head

INSTALLATION

1. Locate two 1/4-20 Holes spaced up to 36mm on Rod Clamp or Cheeseplate (not included)
2. Select 1/4-20x1/4 Socket Caps and Battery Slide, tighten to Rod Clamp or Cheeseplate with allen wrench



3. Attach Battery Mount using corresponding screws (see Hole Chart)



NOTE: To change Battery Slide position loosen Thumb Screw and slide into desired position