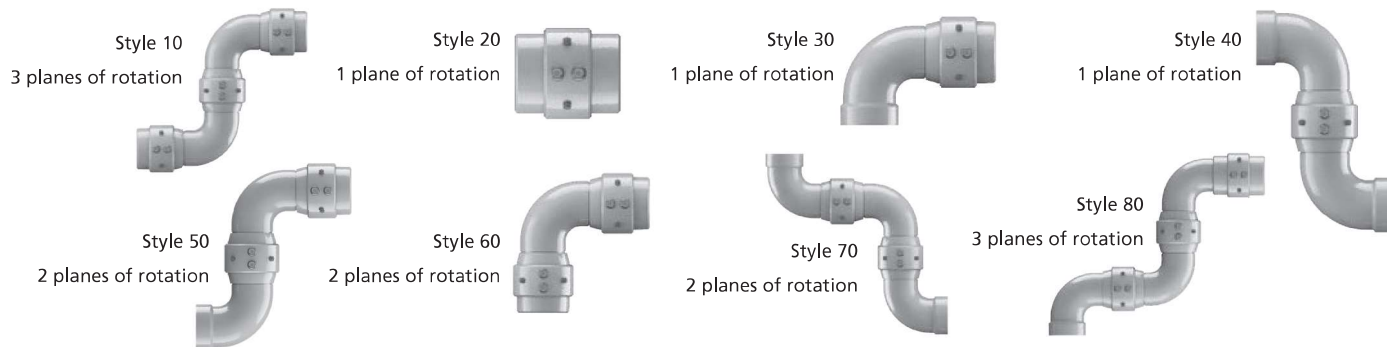


## Basic OPW Swivel Joint Styles



### How to Order

To assure your swivel joint order is processed promptly and efficiently, please specify quantity, product number, size, materials of construction, and give a brief description of the product. Use the convenient product numbering system shown below to simplify your selections.

#### Style (Planes of Rotation)

See basic styles above. Additionally, Style 44 is drop tube swivel w/ handle. Styles 35, 45, and 55 have threaded boss. Styles 56, 58, 76 and 78 have spring balance attachment lugs.

**3 4 2 0 F - 0 4 0 3**

#### Seal Materials

- 1 - Buna-N (Standard)
- 2 - Fluorocarbon (GFLT)
- 3 - PTFE / Silicone
- 4 - EPDM
- 9 - Kalrez®

#### Construction

<b>Conventional Hose</b>	<b>26</b> - Aluminum Hose Reel
<b>Reel Swivels</b>	<b>28</b> - Ductile Iron Hose Reel
<b>Conventional Swivels</b>	<b>32</b> - Steel, High Pressure Cast
	<b>33</b> - Bronze
	<b>34</b> - Steel, Fabricated
	<b>36</b> - Aluminum
	<b>37</b> - 316 Stainless Steel, Cast
	<b>38</b> - Ductile Iron
	<b>39</b> - 316 Stainless Steel, Fabricated
<b>Endura™</b>	<b>74</b> - Steel Endura™ LPG Hose Reel
	<b>79</b> - 316 SST Endura™ LPG Hose Reel
<b>Split Flange</b>	<b>82</b> - Steel Single Race DSF
	<b>84</b> - Steel Dual Race DSF
	<b>87</b> - 316 SST Single Race DSF
<b>Swivels</b>	<b>89</b> - 316 SST Dual Race DSF

Alloy®, Hastelloy, Monel®, Duplex, PTFE-lined and other materials available.

#### End Connections

<b>F</b>	- 150 lb. ASME flange both ends
<b>FFT</b>	- 150 lb. ASME flange inlet x TTMA tank truck flange outlet
<b>FJ</b>	- For submerged use, 150 lb. ASME flange both ends
<b>FO</b>	- 150 lb. Flange x female NPT threads
<b>FSB</b>	- 150 lb. Flange both ends, with spring balance attachment lugs
<b>FSBD</b>	- 150 lb. Flange both ends, with spring balance attachment lugs, downfeed
<b>FT</b>	- TTMA tank truck flange both ends
<b>FTH</b>	- TTMA tank truck flange both ends, with female
<b>VO</b>	- Victaulic® x female NPT threads
<b>FTO</b>	- TTMA tank truck flange inlet x female NPT threaded outlet
<b>J</b>	- For submerged use
<b>LFT</b>	- Long swivel joint with TTMA tank truck flanges
<b>TFT</b>	- Female NPT threaded inlet x TTMA tank truck flange outlet
<b>VOG</b>	- Female NPT threads x Victaulic® groove, hard coat anodized aluminum
<b>W</b>	- Beveled for welding both ends

NO SUFFIX LETTER (S) indicates Female NPT threads both ends. 300 lb. flanges available on some models. BSPT threads available.

Availability of styles, sizes and materials may vary depending upon swivel configuration. Consult OPW Customer Service regarding your exact requirements.

#### Size

<b>007</b>	- 3/4"
<b>010</b>	- 1"
<b>012</b>	- 1-1/4"
<b>015</b>	- 1-1/2"
<b>020</b>	- 2"
<b>030</b>	- 3"
<b>040</b>	- 4"
<b>060</b>	- 6"
<b>080</b>	- 8"
<b>100</b>	- 10"
<b>120</b>	- 12"

Main Seal	Buna (Standard)		Fluorocarbon		PTFE / SILICONE		EPDM		FOOD GRADE NITRILE	
	Suffix No.	Price	Suffix No.	Price	Suffix No.	Price	Suffix No.	Price	Suffix No.	Price
3/4"	(0071)	STD	(0072)	\$10.50	(0073)	\$47.25	(0074)	\$8.40	(0075)	\$8.40
1"	(0101)	STD	(0102)	\$10.50	(0103)	\$47.25	(0104)	\$8.40	(0105)	\$8.40
1-1/4"	(0121)	STD	(0122)	\$14.70	(0123)	\$54.60	(0124)	\$9.45	(0125)	\$9.45
1-1/2"	(0151)	STD	(0152)	\$14.70	(0153)	\$54.60	(0154)	\$9.45	(0155)	\$9.45
2"	(0201)	STD	(0202)	\$15.75	(0203)	\$63.00	(0204)	\$10.50	(0205)	\$10.50
3"	(0301)	STD	(0302)	\$26.25	(0303)	\$78.75	(0304)	\$11.55	(0305)	\$12.60
4"	(0401)	STD	(0402)	\$37.80	(0403)	\$105.00	(0404)	\$12.60	(0405)	\$13.65
6"	(0601)	STD	(0602)	\$68.25	(0603)	\$311.85	(0604)	\$40.95	(0605)	\$43.05
8" and up	CF	CF	CF	CF	CF	CF	CF	CF	CF	CF

- (1) Additional seal materials (e.g. Kalrez®, Chemraz®, Silicone, Food Grade Seals, Low Temperature Seals) available. Consult factory.
- (2) For DSF Swivels, use the above prices and multiply by 2.

**IMPORTANT:** OPW products should be used in compliance with applicable federal, state, provincial, and local laws and regulations. Product selection should be based on physical specifications and limitations and compatibility with the environment and materials to be handled. OPW MAKES NO WARRANTY OF FITNESS FOR A PARTICULAR USE. All illustrations and specifications in this literature are based on the latest product information available at the time of publication. OPW reserves the right to make changes at any time in prices, materials, specifications and models and to discontinue models without notice or obligation.